


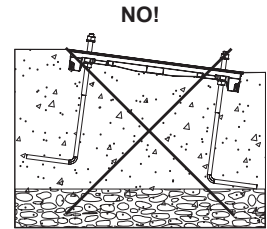
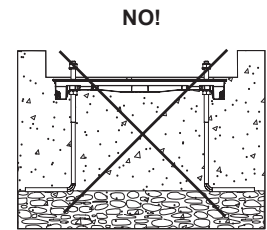
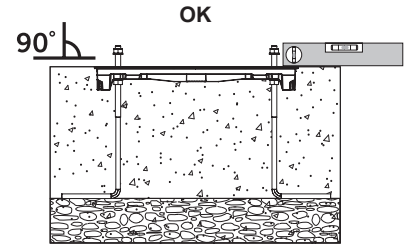
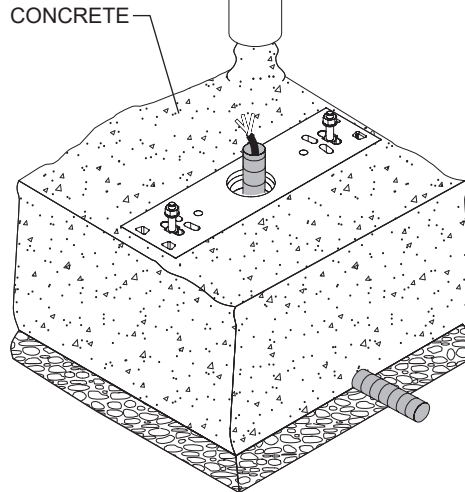
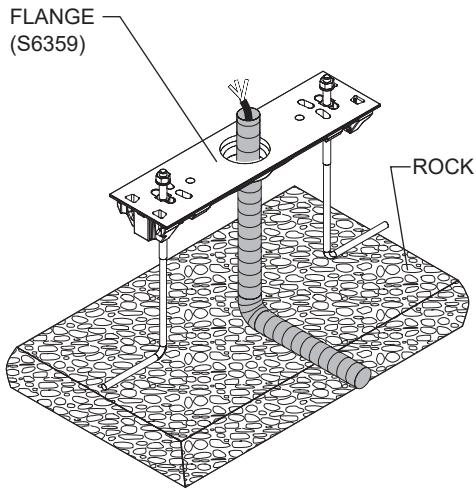
IMPORTANT - READ CAREFULLY BEFORE INSTALLING FIXTURE. RETAIN THESE INSTRUCTIONS FOR FUTURE REFERENCE. THIS PRODUCT MUST BE INSTALLED IN ACCORDANCE WITH THE NATIONAL ELECTRICAL CODE AND ALL APPLICABLE LOCAL CODES, BY A PERSON FAMILIAR WITH THE CONSTRUCTION AND OPERATION OF THE PRODUCT, AND THE HAZARDS INVOLVED. PROPER GROUNDING IS REQUIRED FOR SAFETY.

INSTALLATION IN CONCRETE WITH FLANGE - WITH INTEGRAL DRIVER (120-277V)

A- INSTALL FLANGE ACCESSORY (S6359) IN CONCRETE FLUSH WITH THE MOUNTING SURFACE.

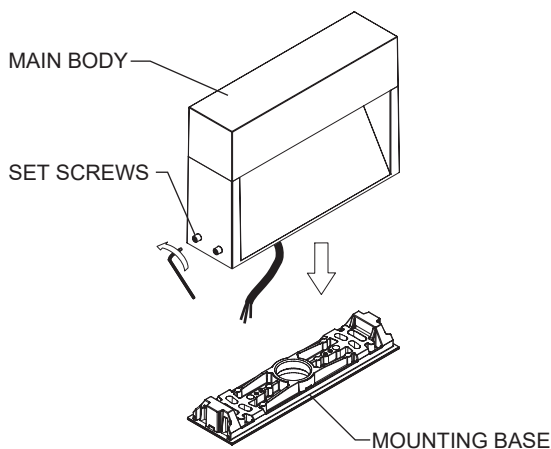
LIVE	BLACK
NEUTRAL	WHITE
	GREEN

A

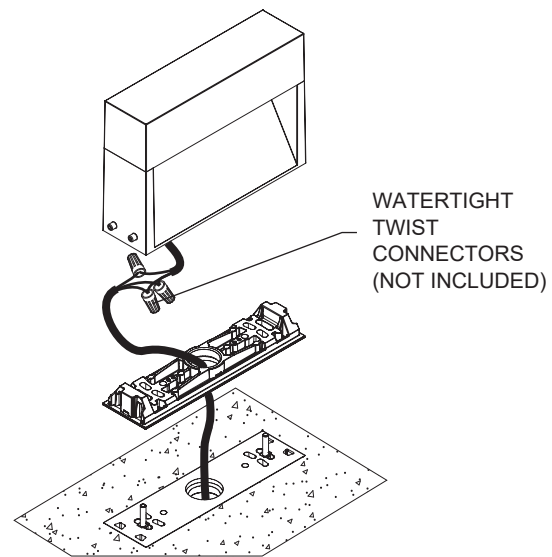


B- UNFASTEN THE SET (4) SCREWS WITH THE ALLEN KEY (**INCLUDED**) AND PULL MOUNTING BASE OFF THE MAIN BODY. DO NOT COMPLETELY REMOVE SCREWS
 C- MAKE ALL WIRE CONNECTIONS (**FOLLOWING POLARITY MARKING**) WITH WATERTIGHT TWIST CONNECTORS (**NOT INCLUDED**). PLACE THEM INTO THE MAIN BODY.

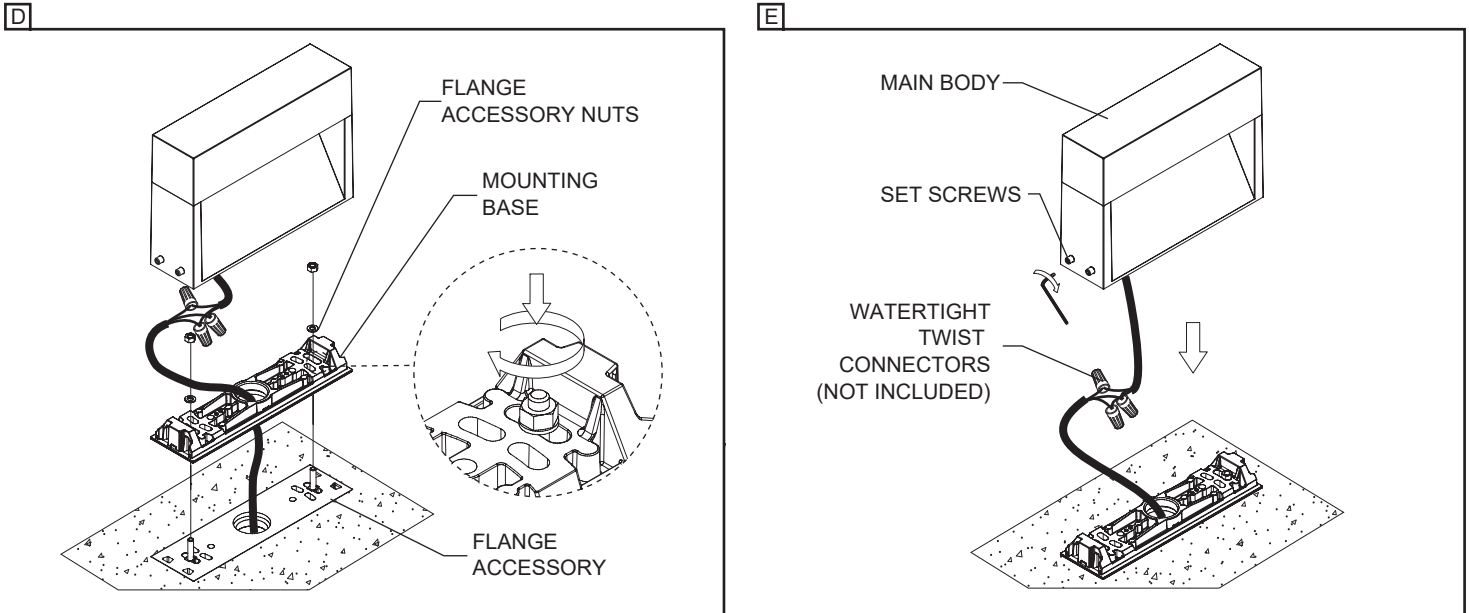
B



C



- D- FASTEN MOUNTING BASE TO FLANGE ACCESSORY USING (2) FLANGE ACCESSORY NUTS (**INCLUDED**).
E- PLACE MAIN BODY INTO MOUNTING BASE AND FASTEN SET SCREWS.



INSTALLATION WITHOUT FLANGE

- A- UNFASTEN THE (4) SET SCREWS WITH ALLEN KEY (**INCLUDED**) AND PULL MOUNTING BASE OFF THE MAIN BODY.
B- FASTEN MOUNTING BASE TO SURFACE USING APPROPRIATE (2) ANCHORS (**NOT INCLUDED**) AND (2) SCREWS (**NOT INCLUDED**).
C- MAKE ALL WIRE CONNECTORS (**FOLLOWING POLARITY MARKING**) WITH WATERTIGHT TWIST CONNECTORS (**NOT INCLUDED**.) PLACE THEM INTO THE MAIN BODY INTO THE MOUNTING BASE AND FASTEN SET SCREWS.

LIVE	BLACK
NEUTRAL	WHITE
	GREEN

