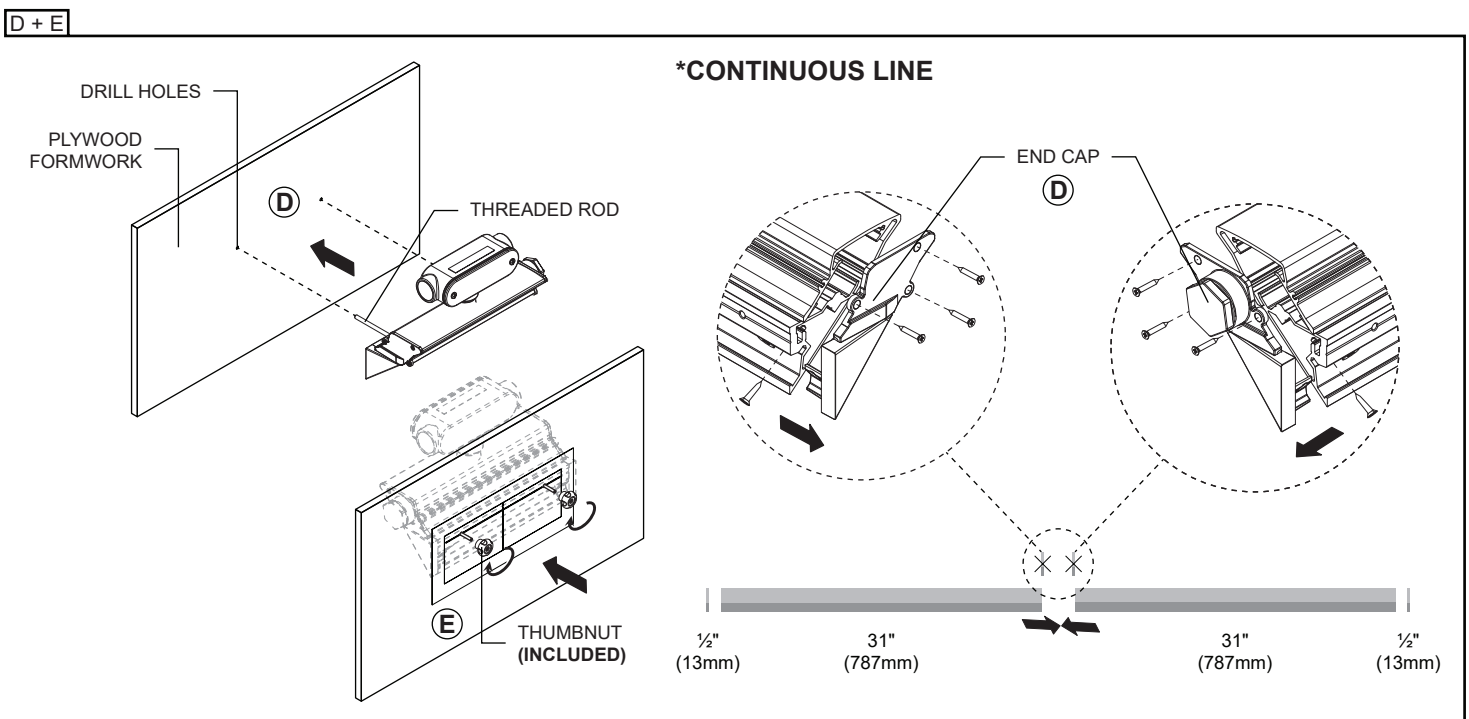
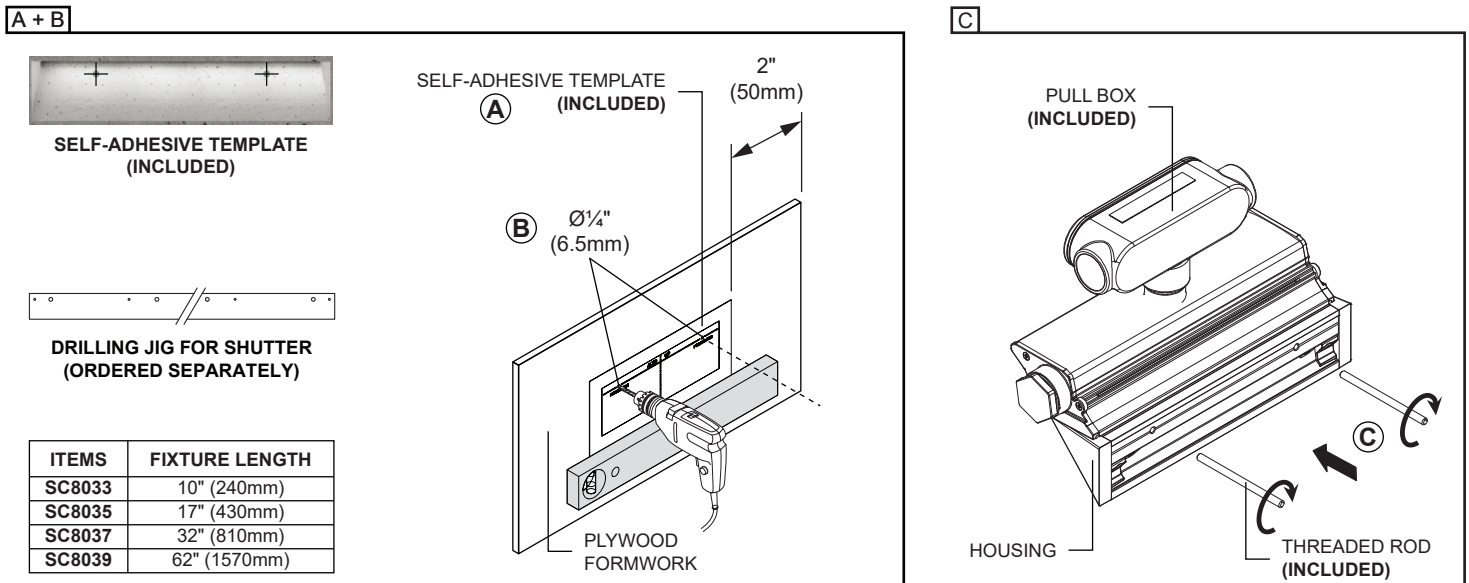


**IMPORTANT** - READ CAREFULLY BEFORE INSTALLING FIXTURE. RETAIN THESE INSTRUCTIONS FOR FUTURE REFERENCE. THIS PRODUCT MUST BE INSTALLED IN ACCORDANCE WITH THE NATIONAL ELECTRICAL CODE AND ALL APPLICABLE LOCAL CODES, BY A PERSON FAMILIAR WITH THE CONSTRUCTION AND OPERATION OF THE PRODUCT, AND THE HAZARDS INVOLVED. PROPER GROUNDING IS REQUIRED FOR SAFETY.

**⚠ DISCONNECT THE MAIN LINE BEFORE WIRING SECONDARY CONNECTORS.**

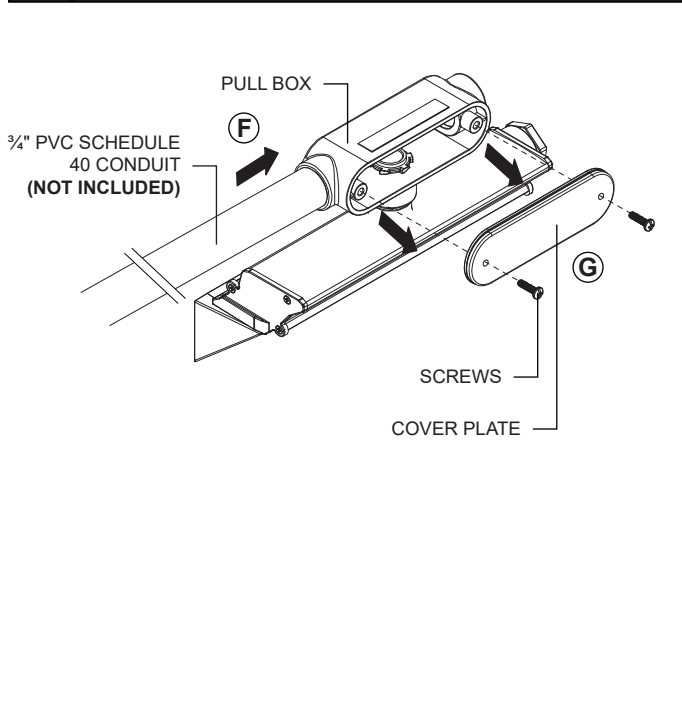
## INSTALLATION IN CONCRETE WITH BACKBOX TO REMOTE DRIVER (24V)

- A- APPLY SELF-ADHESIVE TEMPLATE (INCLUDED) OR DRILLING JIG (RECOMMENDED FOR IN-LINE INSTALLATION, ORDERED SEPARATELY) TO THE PLYWOOD. ALLOW AT LEAST 2" (50mm) OF EMPTY SPACE ON EITHER SIDE OF THE TEMPLATE.
- B- USING A Ø¼" (6.5mm) DRILL BIT, DRILL HOLES INTO PLYWOOD AT THE MARKED SPOTS (SELF-ADHESIVE TEMPLATE) OR HOLES (DRILLING JIG).
- C- FASTEN THE THREADED RODS (INCLUDED) TO THE HOUSING.
- D- INSERT THE THREADED RODS THROUGH HOLES IN THE PLYWOOD. **\*FOR CONTINUOUS LINE, REMOVE END CAPS BEFORE INSERTING THE THREADED RODS INTO PLYWOOD FORMWORK.**
- E- USE THUMBNUTS (INCLUDED) TO SECURE HOUSING TO THE PLYWOOD.

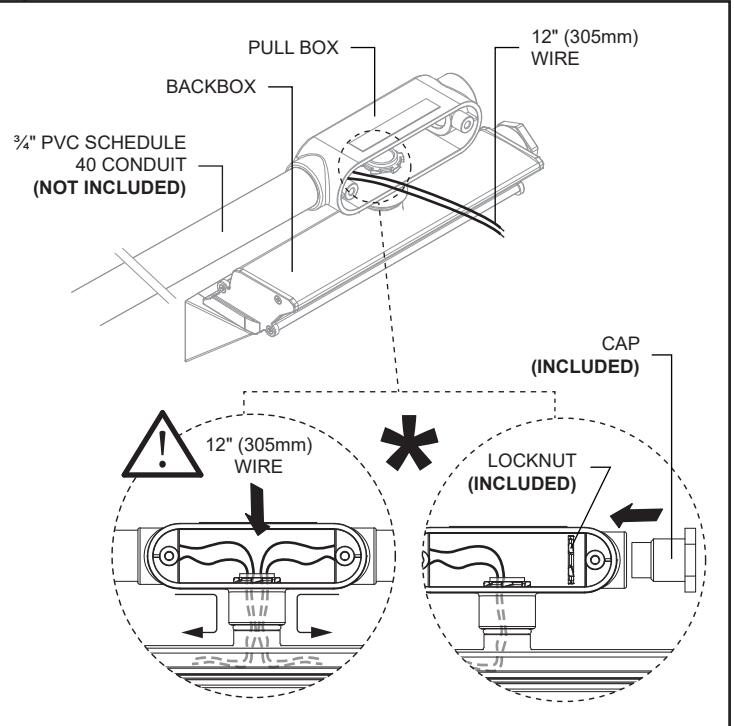


- F- CONNECT WIRE CONDUITS (**NOT INCLUDED**) TO THE PULL BOX AND SECURE WITH ADEQUATE ADHESIVE (**NOT INCLUDED**).
- G- UNSCREW PULL BOX COVER PLATE.
- H- FEED WIRES THROUGH WIRE CONDUIT. (**IT IS RECOMMENDED TO INSERT AT LEAST 12" OF WIRE INSIDE THE BACKBOX.**)  
ONCE THE WIRES ARE FED THROUGH, SEAL REMAINING PULL BOX OPENING WITH CAP AND LOCKNUT (**INCLUDED**).  
**\*FOR CONTINUOUS LINE OR DAISY CHAIN SETUP, ONLY SEAL THE LAST PULL BOX OF THE LINE.**

**F + G**

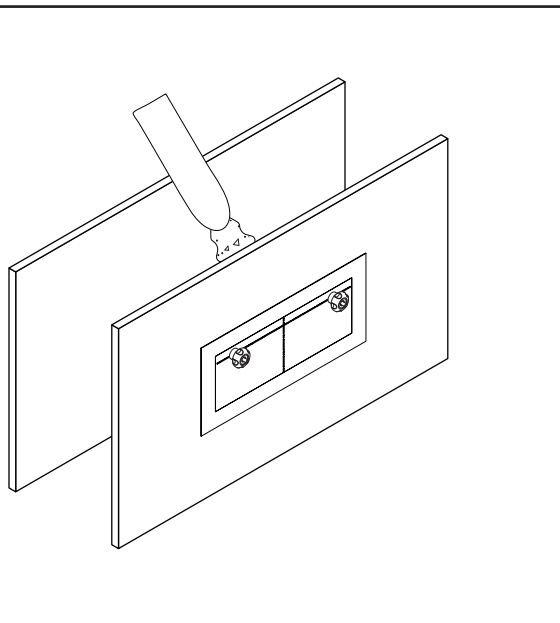


**H**

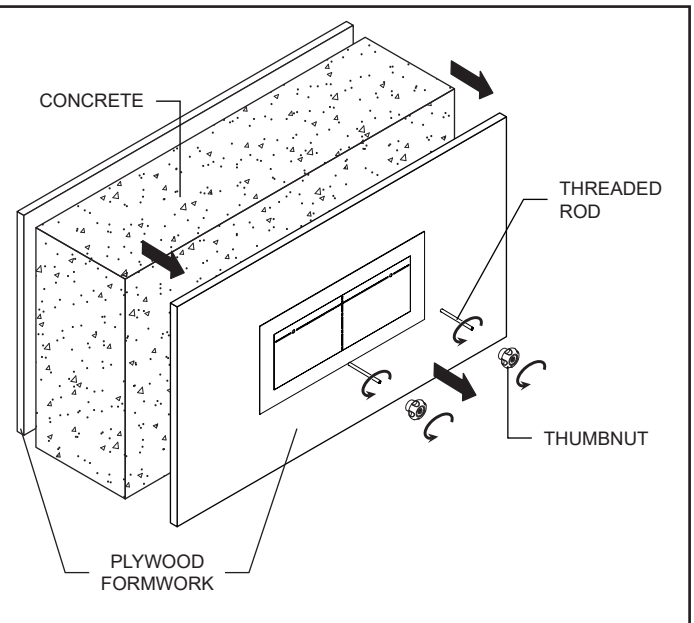


- I- POUR CONCRET INTO STRUCTURE.
- J- ONCE CONCRETE IS SET, UNSCREW THUMBNUITS AND THREADED RODS THEN REMOVE THE PLYWOOD FROM THE CONCRETE.

**I**

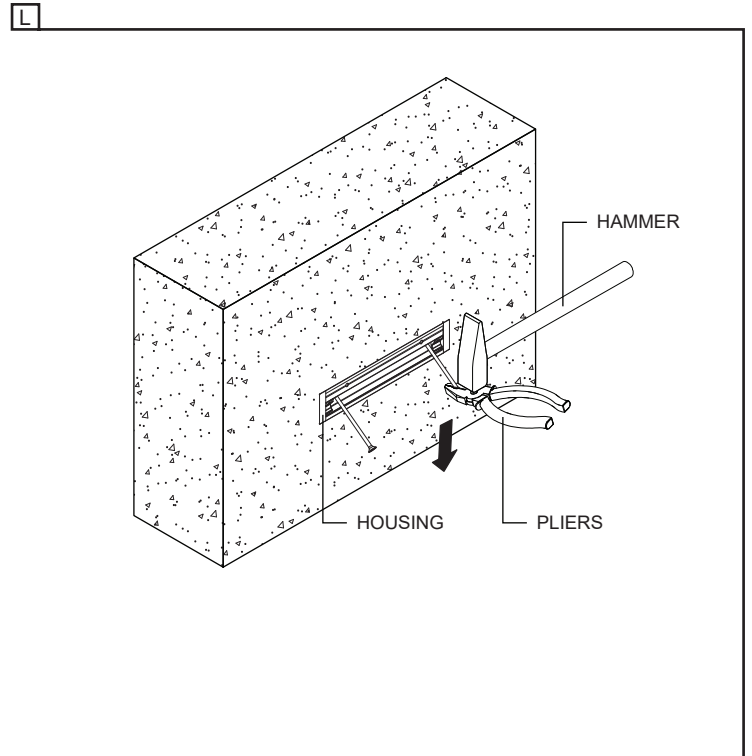
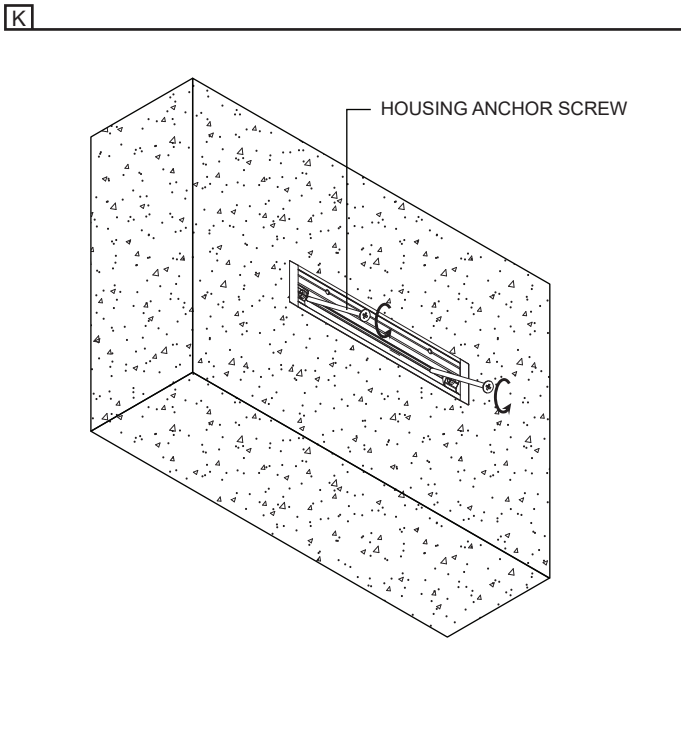


**J**



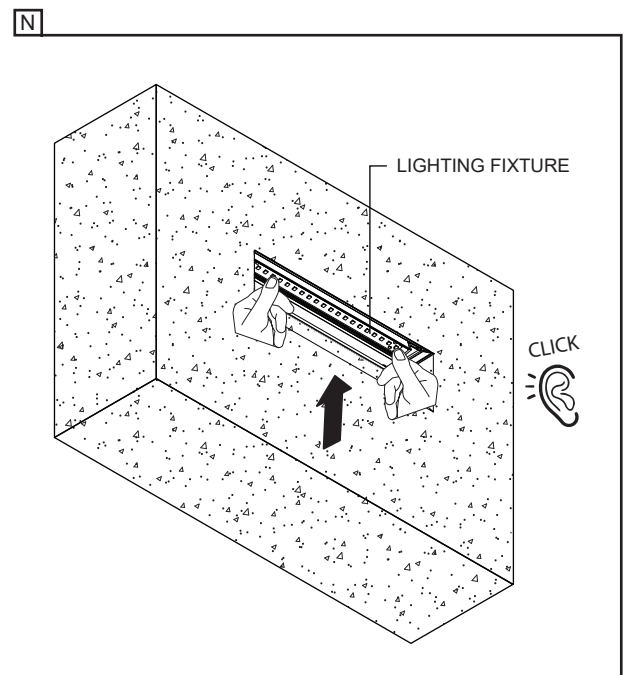
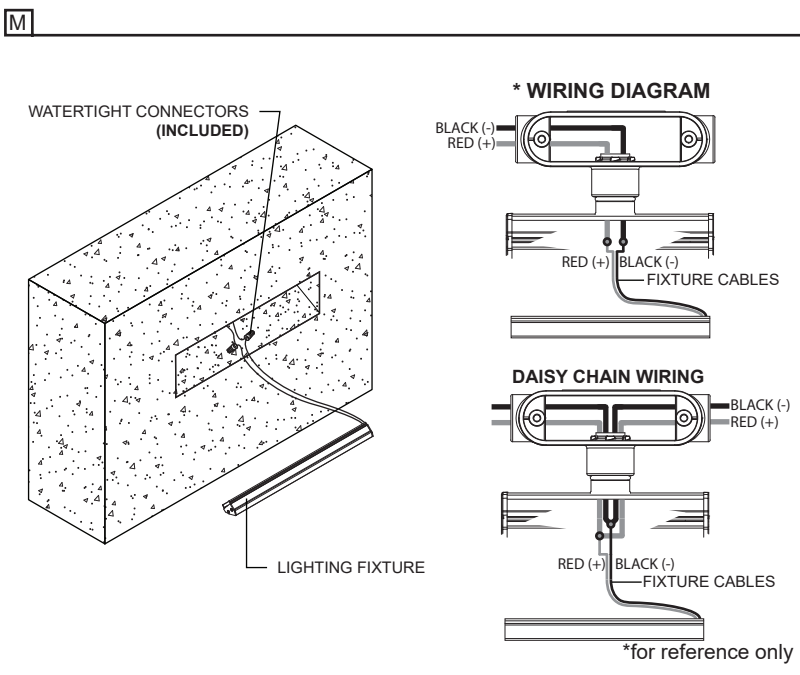
K- LOOSEN THE HOUSING ANCHOR SCREWS WITH A DRILL.

L- HOLD ONE OF THE ANCHOR SCREW WITH PLIERS AND HIT IT WITH A HAMMER TO REMOVE HOUSING FROM CONCRETE.



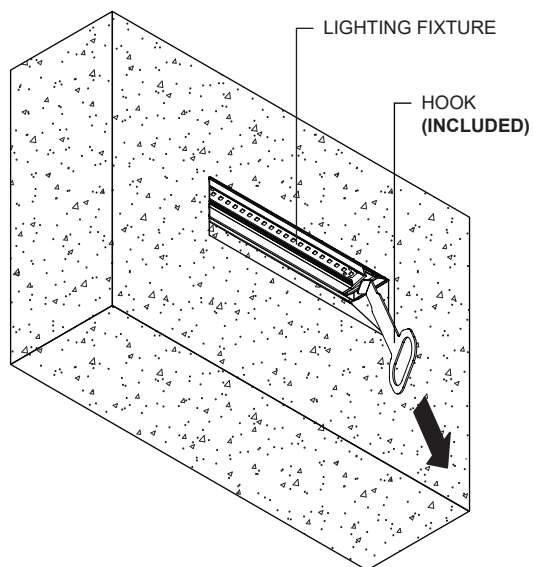
M- CONNECT LIGHTING FIXTURE TO THE BACKBOX WIRES USING THE WATERTIGHT CONNECTORS (**INCLUDED**). (**SEE WIRING DIAGRAM BELOW**)

N- INSERT FIXTURE INTO THE BACKBOX AND SNAP IT IN PLACE. TO PREVENT ANY MALFUNCTIONS AND HAZARDS, BE CAREFUL TO NOT SQUEEZE ANY WIRES DURING INSERTION.



### MAINTENANCE

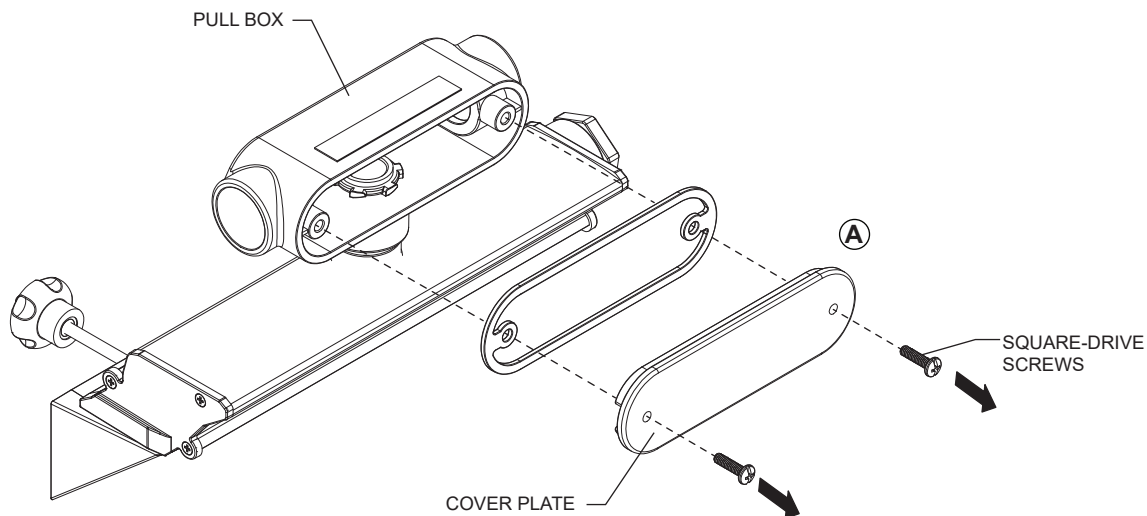
O- TO REMOVE THE LIGHTING FIXTURE, PLACE THE HOOK **(INCLUDED)** ON THE SIDE OF THE FIXTURE AND PULL TO LET IT OUT.



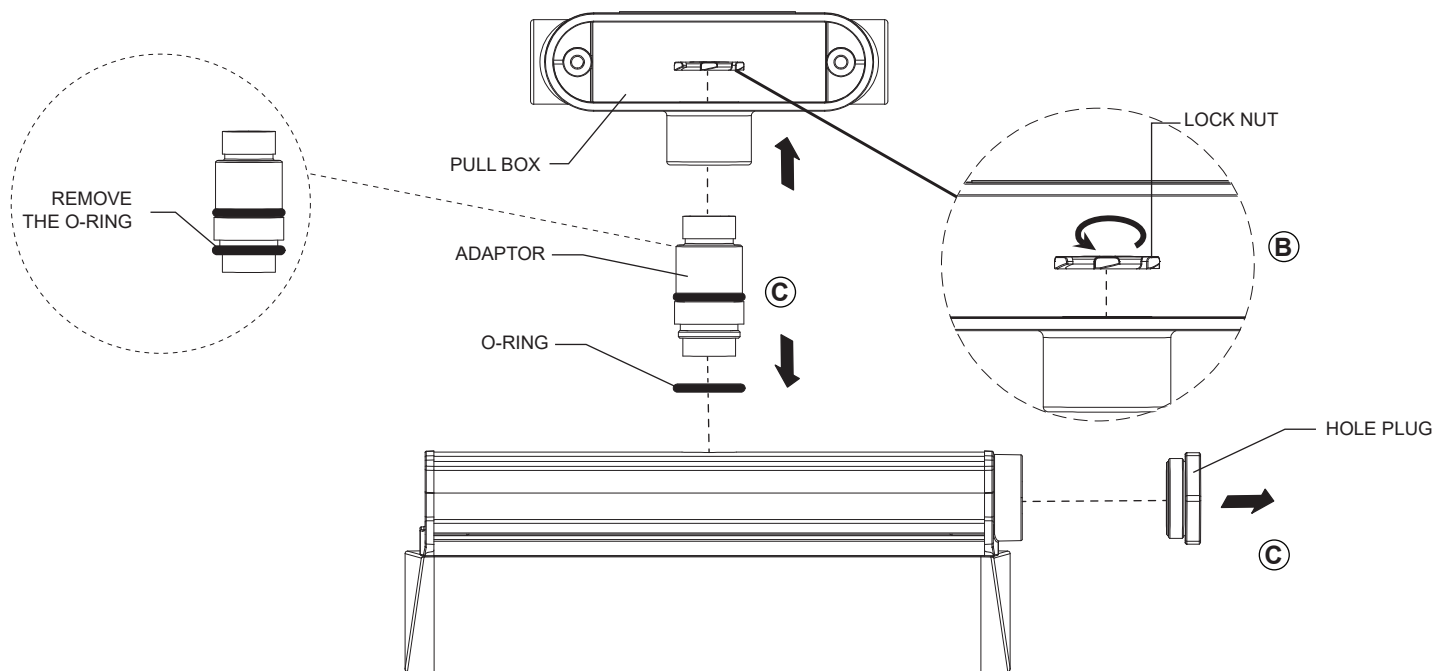
**STAIR RISER INSTALLATION (for minimum height)**

- A- REMOVE THE SQUARE-DRIVE SCREWS ON THE PULL BOX COVER PLATE
- B- REMOVE THE LOCKNUT LOCATED INSIDE THE PULL BOX.
- C- UNSCREW THE PULL BOX AND THE ADAPTOR. TAKE OFF THE ORING LOCATED AT THE EXTREMIY OF THE ADAPTOR AND KEEP THE MIDDLE ON IN PLACE.

**A**



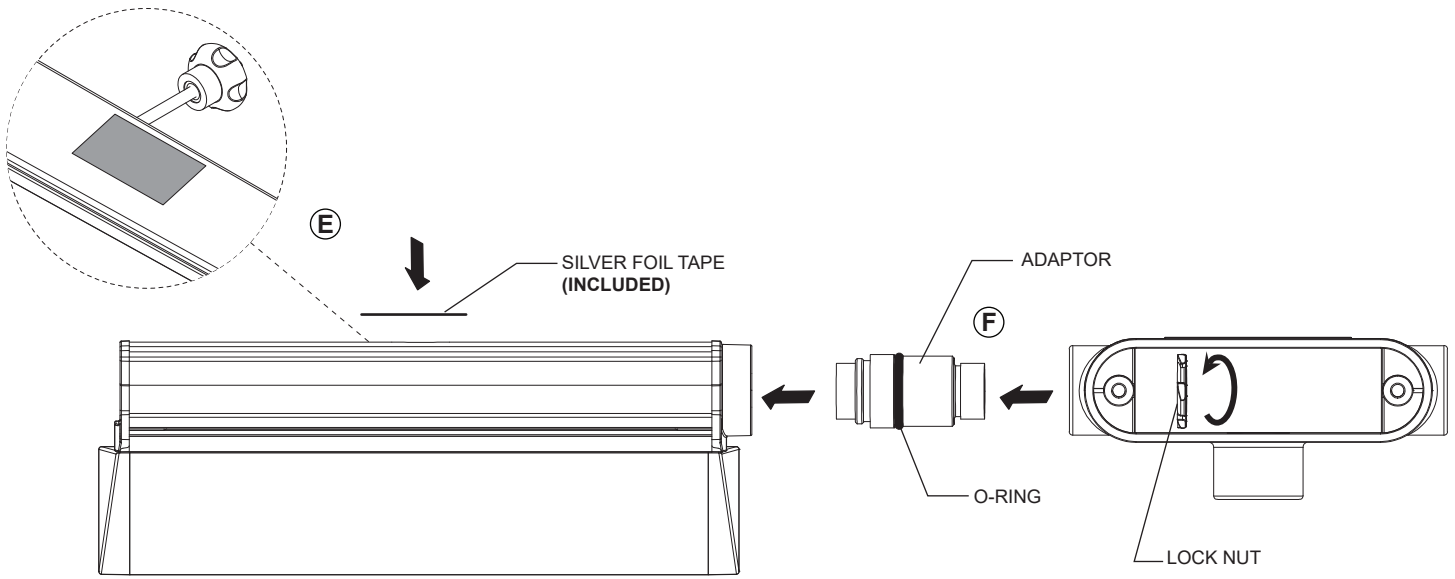
**B + C**



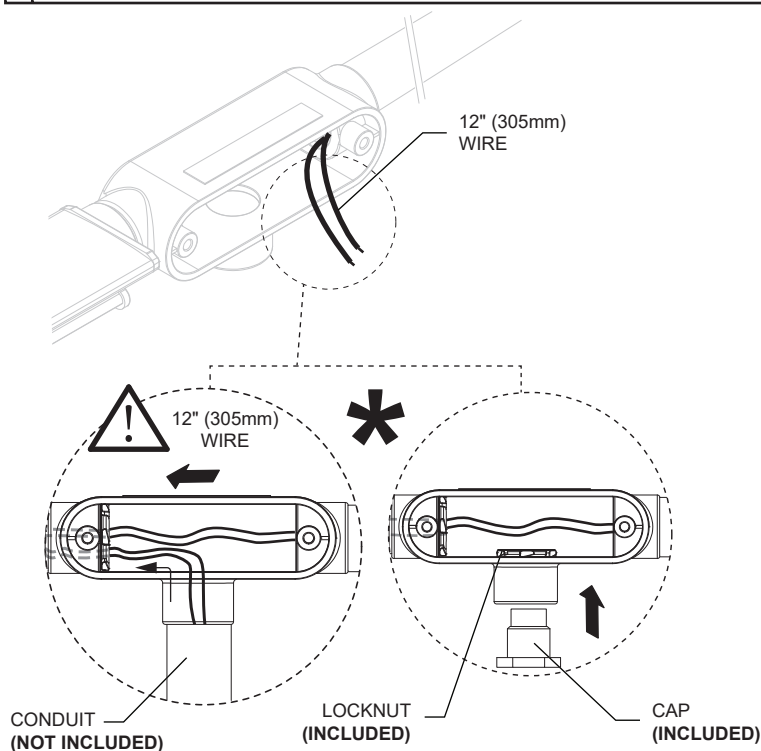
## STAIR RISER INSTALLATION (for minimum height)

- E- APPLY ALUMINUM FOIL TAPE (INCLUDED) ON THE TOP HOLE OF THE BACK BOX.
  - F- INSERT THE ADAPTOR AND THE PULL BOX IN THE SIDE HOLE AND SCREW THEM TOGETHER WITH THE LOCK NUT
    - \* THE O-RING MUST BE BETWEEN THE BACKBOX AND THE PULL BOX.
  - G- CONNECT WIRE CONDUITS (NOT INCLUDED) TO THE PULL BOX AND SECURE WITH ADEQUATE ADHESIVE (NOT INCLUDED).
    - FEED WIRES THROUGH WIRE CONDUIT. (IT IS RECOMMENDED TO INSERT AT LEAST 12" OF WIRE INSIDE THE BACK BOX.)
  - H- SEAL REMAINING PULL BOX OPENING WITH CAP AND LOCKNUT (INCLUDED).
- \*FOR CONTINUOUS LINE OR DAISY CHAIN SETUP, ONLY SEAL THE LAST PULL BOX OF THE LINE.**

**E + F**



**G**



**H**

