

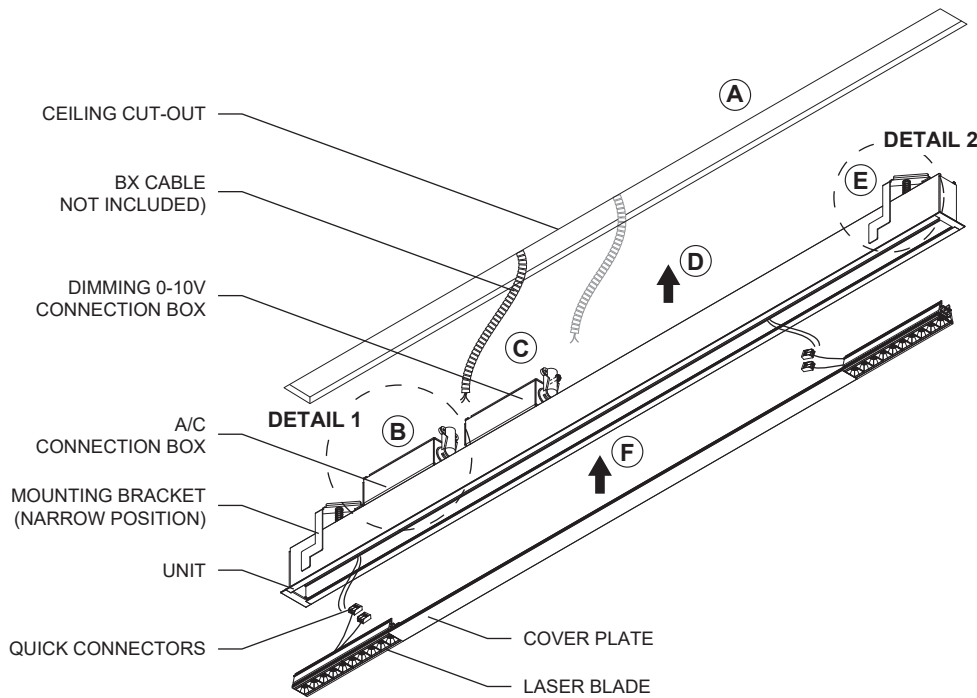
RECESSED SOLO UNIT MODEL: 3452

IMPORTANT - READ CAREFULLY BEFORE INSTALLING FIXTURE. RETAIN THESE INSTRUCTIONS FOR FUTURE REFERENCE. THIS PRODUCT MUST BE INSTALLED IN ACCORDANCE WITH THE NATIONAL ELECTRICAL CODE AND ALL APPLICABLE LOCAL CODES, BY A PERSON FAMILIAR WITH THE CONSTRUCTION AND OPERATION OF THE PRODUCT, AND THE HAZARDS INVOLVED. PROPER GROUNDING IS REQUIRED FOR SAFETY.

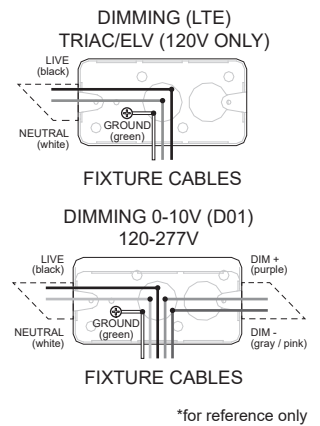
⚠ DISCONNECT THE MAIN LINE BEFORE WIRING SECONDARY CONNECTORS.

SOLO UNIT INSTALLATION INTEGRAL DRIVER (120 / 277V) DIMMING TRIAC/ELV (10% OR 0-10V (1%))

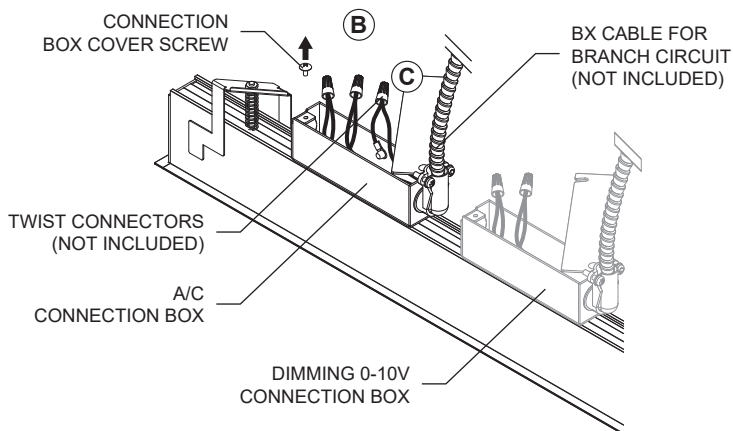
- A- MAKE THE CEILING CUT-OUT (SEE TABLE ON PAGE 3).
- B- OPEN THE CONNECTION BOXES ON TOP OF THE UNIT. UNSCREW THE BOXES PHILLIPS SCREW TO SLIDE OUT THE COVER. (SEE DETAIL 1)
- C- INSERT AND LOCK THE BX CABLE (NOT INCLUDED) INTO THE BX CONNECTORS (INCLUDED) AND MAKE THE NECESSARY WIRE CONNECTIONS (SEE WIRING DIAGRAM) USING TWIST CONNECTORS (NOT INCLUDED).
- D- WITH THE MOUNTING BRACKETS IN THE NARROW POSITION, GENTLY INSERT THE START UNIT INTO THE CEILING CUT-OUT.
- E- SCREW THE MOUNTING BRACKET SCREWS CLOCKWISE TO WIDEN AND LOWER THE MOUNTING BRACKETS ON THE CEILING. (SEE DETAIL 2)
- F- CONNECT THE LASER BLADES USING THE QUICK CONNECTORS (INCLUDED) AND SNAP THEM INTO THE UNIT. FILL THE GAPS WITH THE COVER PLATES.



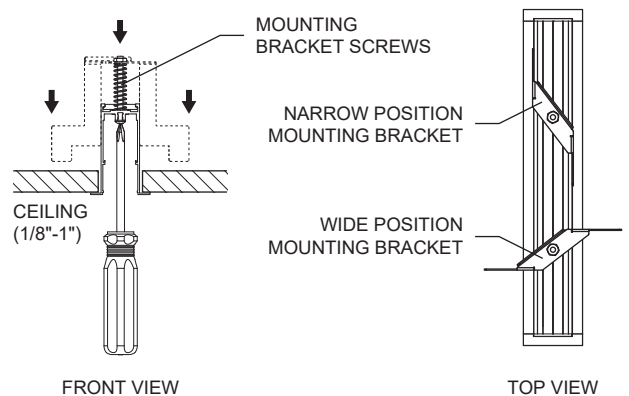
WIRING DIAGRAM



DETAIL 1



DETAIL 2

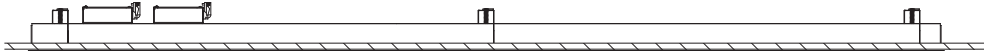


RECESSED CUT-OUT DIMENSIONS

SOLO UNIT 4'



SOLO UNIT 8'



CUT-OUT FOR LINEAR RECESSED ALL CONFIGURATIONS		
Nominal length	Actual length	Cut-out
04'	4'- $\frac{3}{16}$ " (1.233m)	1 $\frac{3}{8}$ " x 4'- $\frac{3}{16}$ " (35mm x 1.224m)
08'	8'- $\frac{1}{2}$ " (2.450m)	1 $\frac{3}{8}$ " x 8'- $\frac{3}{16}$ " (35mm x 2.442m)