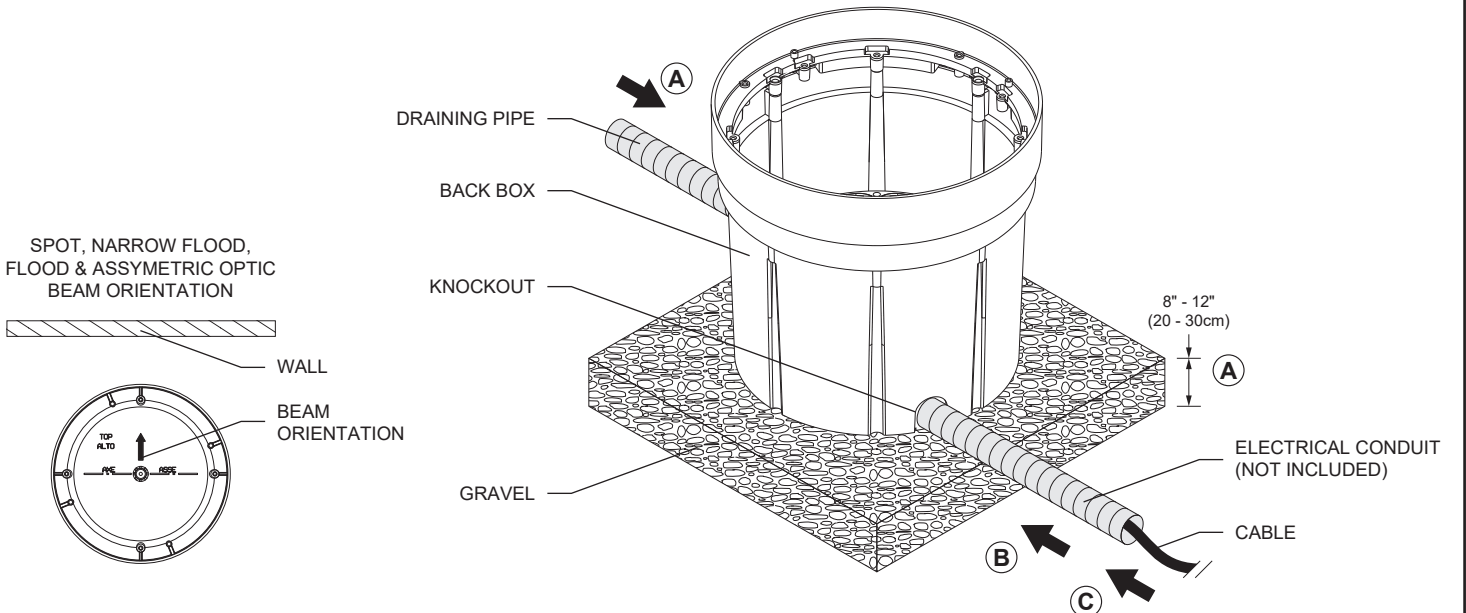


IMPORTANT - READ CAREFULLY BEFORE INSTALLING FIXTURE. RETAIN THESE INSTRUCTIONS FOR FUTURE REFERENCE.
 THIS PRODUCT MUST BE INSTALLED IN ACCORDANCE WITH THE NATIONAL ELECTRICAL CODE AND ALL APPLICABLE LOCAL CODES, BY A PERSON FAMILIAR WITH THE CONSTRUCTION AND OPERATION OF THE PRODUCT, AND THE HAZARDS INVOLVED. PROPER GROUNDING IS REQUIRED FOR SAFETY.

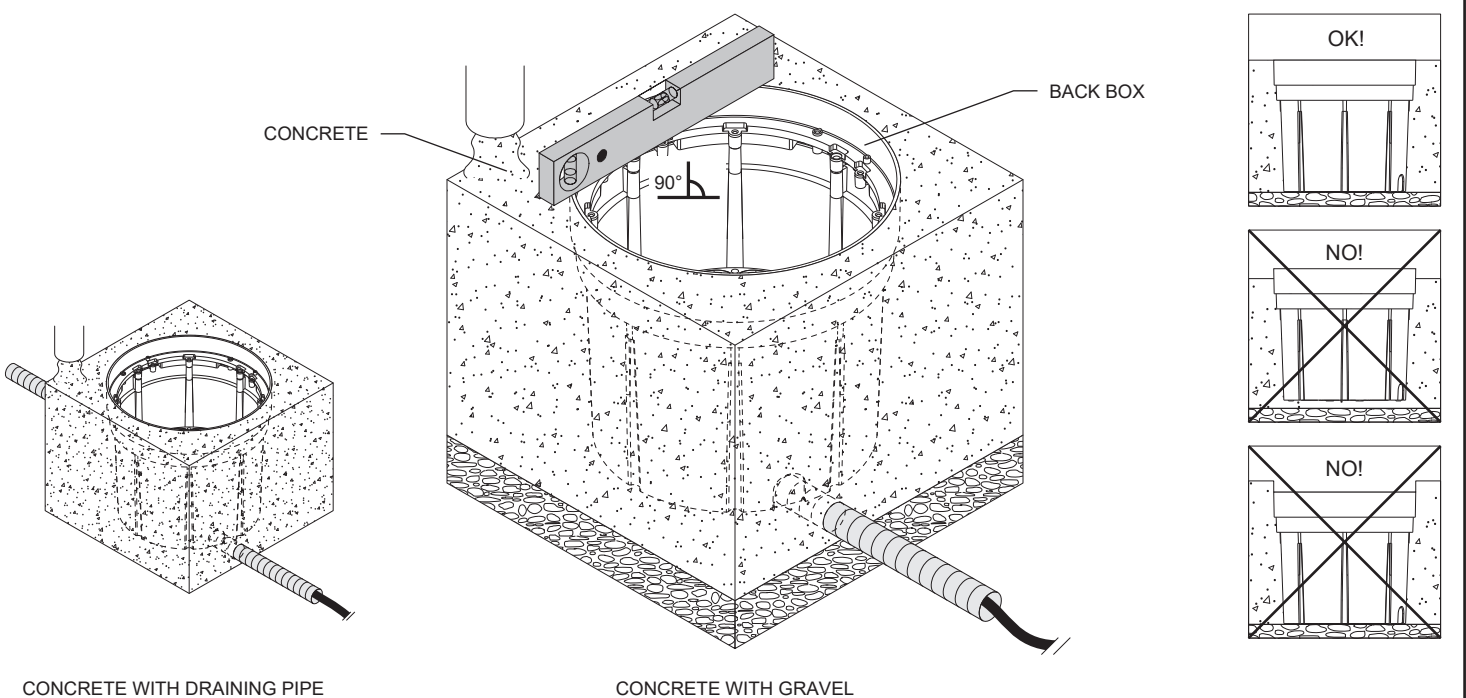
BACK BOX INSTALLATION

- A- PREPARE THE DESIRED DRAINING EQUIPMENT TO ENSURE COMPLETE BACK BOX DRAINAGE IN UNDER 30 MINUTES:
 - NEW INSTALLATION:** 8" TO 12" (20-30cm) OF GRAVEL UNDER THE BACK BOX.
 - OVER EXISTING SURFACES:** INSTALL A DRAINING PIPE TO THE BACK BOX.
- B- REMOVE THE DESIRED KNOCKOUT AND INSTALL AN APPROPRIATE ELECTRICAL CONDUIT (**NOT INCLUDED**) INTO THE BACK BOX.
- C- FEED CABLE THROUGH THE ELECTRICAL CONDUIT.
- D- POUR CONCRETE IN AND MAKE SURE THAT THE BACK BOX OPENING IS FLUSH WITH THE CONCRETE.

A + B + C



D



FIXTURE INSTALLATION
INTEGRAL DRIVER (120-277V)
DIMMING 0-10V (15%)

ONLY FOLLOW STEP A TO C FOR SPOT, NARROW FLOOD, FLOOD AND ASYMMETRICAL OPTIC ADJUSTMENTS.

A- UNSCREW THE (4) COVER RING PHILLIPS SCREWS FROM UNDER THE FIXTURE BODY AND PULL OUT THE GLASS WITH SILICONE GASKET.

B- FOR MODELS WITH SPOT, NARROW FLOOD, FLOOD AND ASYMMETRIC OPTICS:

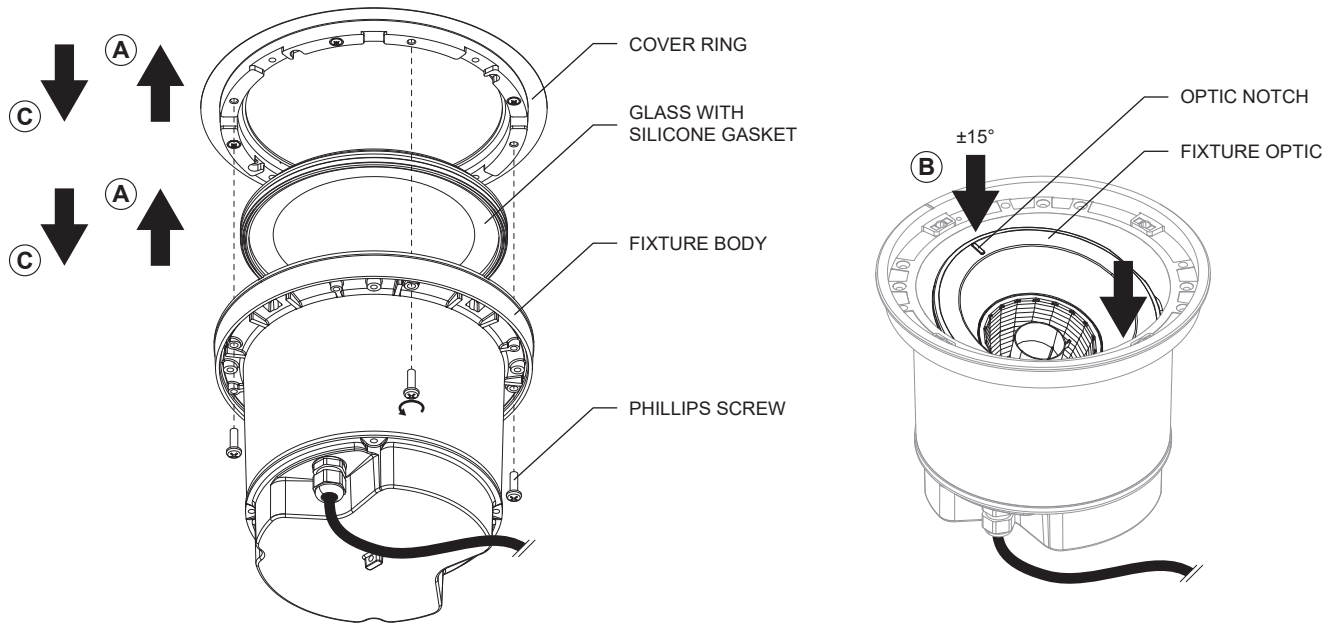
SET TO THE DESIRED ANGLE ($\pm 15^\circ$) BY PUSHING ON THE OPTIC NOTCHES.

C- REASSEMBLE THE FIXTURE (REVERSE STEP A).

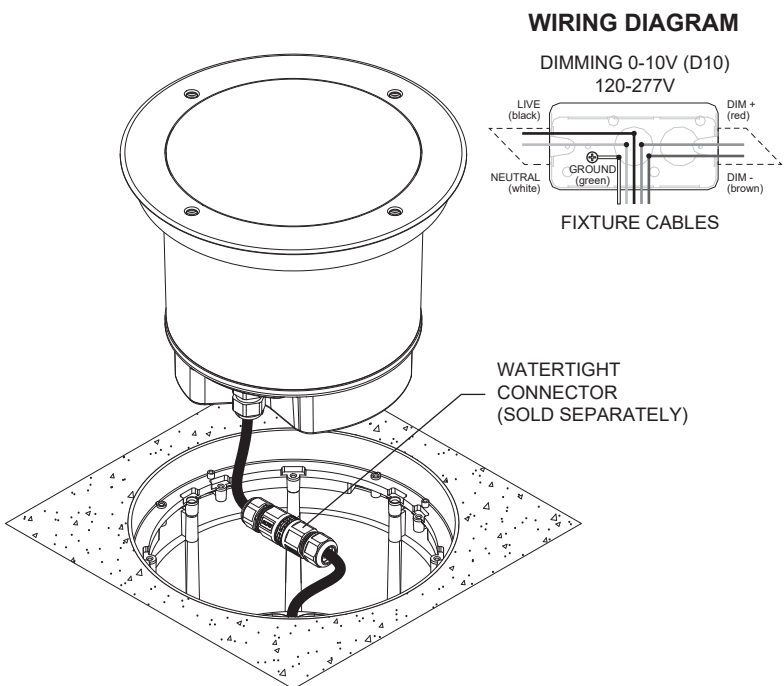
D- MAKE THE NECESSARY WIRE CONNECTIONS (FOLLOWING WIRING DIAGRAM) USING WATERTIGHT CONNECTORS (SOLD SEPARATELY).

E- SCREW THE (4) FIXTURE PHILLIPS SCREWS IN THE BACK BOX.

A + B + C



D



E

