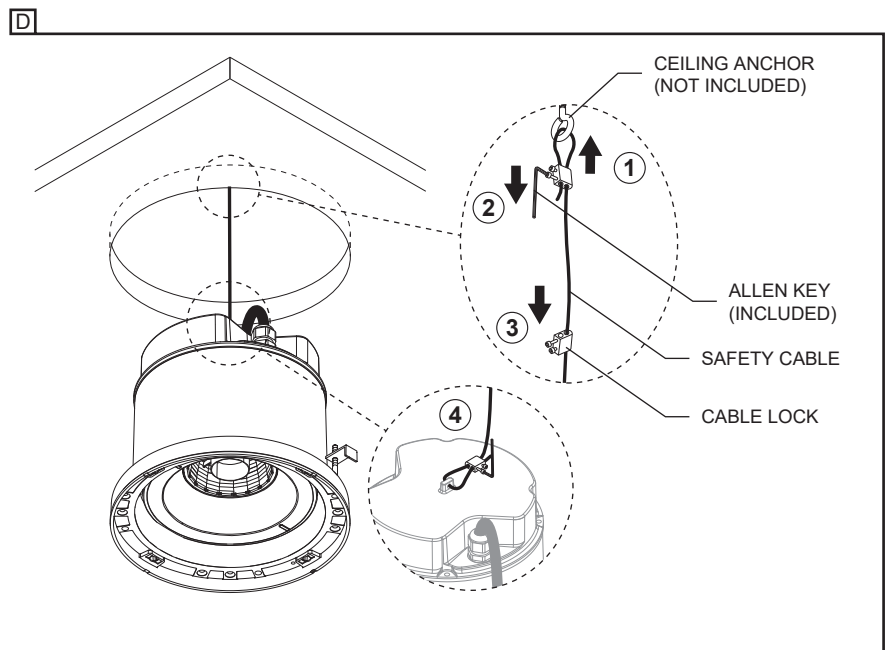
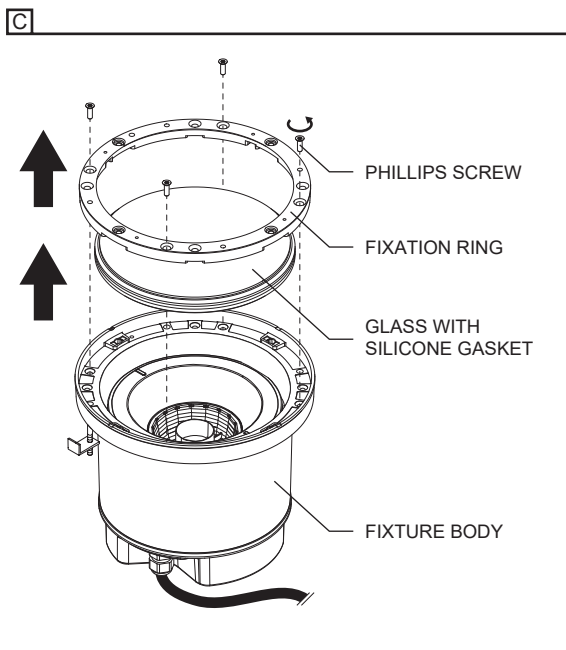
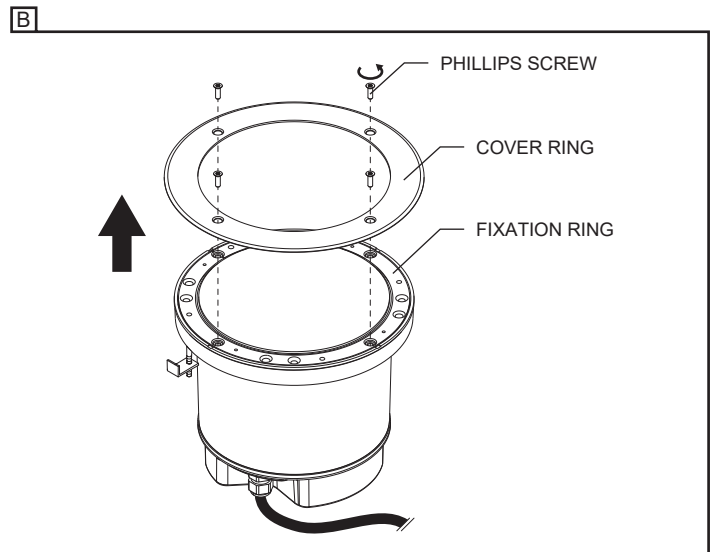
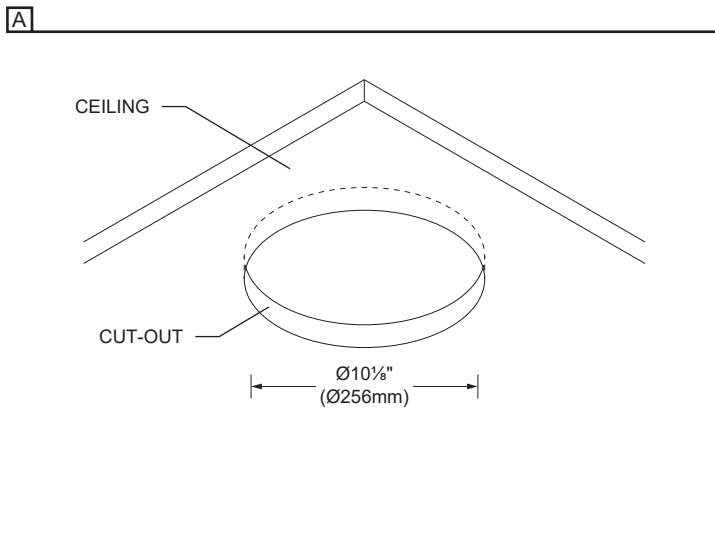


IMPORTANT - READ CAREFULLY BEFORE INSTALLING FIXTURE. RETAIN THESE INSTRUCTIONS FOR FUTURE REFERENCE.
THIS PRODUCT MUST BE INSTALLED IN ACCORDANCE WITH THE NATIONAL ELECTRICAL CODE AND ALL APPLICABLE LOCAL CODES, BY A PERSON FAMILIAR WITH THE CONSTRUCTION AND OPERATION OF THE PRODUCT, AND THE HAZARDS INVOLVED. PROPER GROUNDING IS REQUIRED FOR SAFETY.

REMODEL FIXTURE INSTALLATION INTEGRAL DRIVER (120-277V) DIMMING 0-10V (15%)

- A- MAKE THE CEILING CUT-OUT (SEE DIMENSION BELOW).
 B- UNSCREW THE (4) COVER RING PHILLIPS SCREWS.
 C- UNSCREW THE (4) FIXATION RING PHILLIPS SCREWS AND PULL THE GLASS WITH SILICONE GASKET FROM THE FIXTURE BODY.
D- SAFETY CABLE INSTALLATION:
 1- PASS THE SAFETY CABLE INTO A CEILING ANCHOR (NOT INCLUDED).
 2- LOOP THE SAFETY CABLE INTO THE CABLE LOCK AND TIGHTEN THE SCREW USING THE ALLEN KEY (INCLUDED) TO SET IT IN PLACE.
 3- INSTALL THE SECOND CABLE LOCK ON THE CABLE.
 4- INSTALL THE SAFETY CABLE TO THE FIXTURE.



- E- MAKE THE NECESSARY WIRE CONNECTIONS (**FOLLOWING WIRING DIAGRAM**) USING CONNECTORS (**NOT INCLUDED**) AND INSERT THE FIXTURE INTO THE CEILING.
- F- TIGHTEN THE (2) BRACKET SCREWS TO LOWER THE BRACKET UNTIL THE FIXTURE IS SECURELY HELD IN PLACE.
- G- SET TO THE DESIRED ANGLE ($\pm 15^\circ$) BY PUSHING ON THE OPTIC NOTCHES.
- H- REASSEMBLE THE FIXTURE:
- 1- PUSH THE GLASS WITH SILICONE GASKET INTO THE FIXTURE BODY.
 - 2- SCREW THE FIXATION RING IN THE FIXTURE BODY USING THE (4) PHILLIPS SCREWS.
 - 3- SCREW THE COVER RING IN THE FIXATION RING USING THE (4) PHILLIPS SCREWS.

