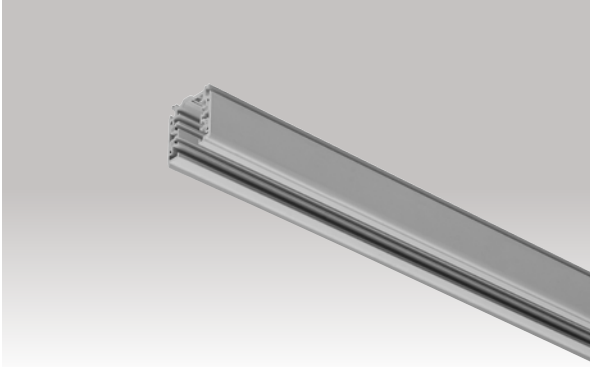


Project name: _____

Type: _____



General information

Mounting: Surface mount or suspended.

Body: Extruded aluminum professional track.

Electrical: 120V or 277V with two circuits, 20A per circuit. 2 hot, 2 neutral. Line voltage dimming capability.

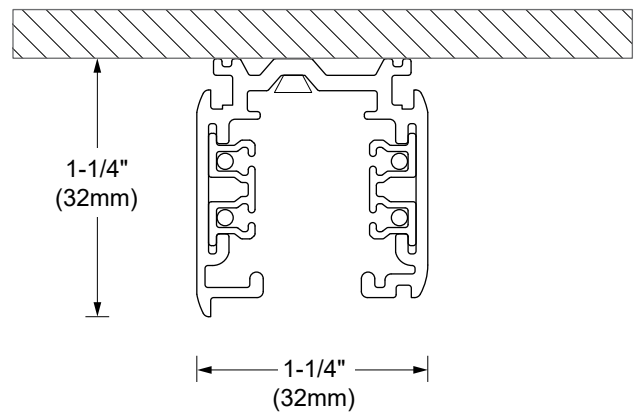
Finish:

Track: Anodized natural aluminum, white or black painted.

Accessories: White, black or gray painted.

Warranty: 1 year limited warranty.

Certification: cULus listed for dry location.



SECTION VIEW

Project name: _____

Type: _____

ELECTRICAL COMPONENTS
(TO BE ORDERED SEPARATELY)

Feedable connexions

- 120V 277V
 01 - White 02 - Black 10 - Gray

0175 - Live end feed



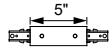
0176 - Live end feed mirror



0177 - Linear coupler



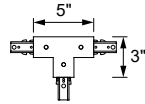
0178 - Direct coupler



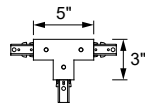
0179 - L-Connector adjustable polarity



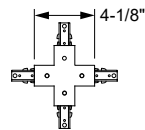
0180 - T-Connector right polarity



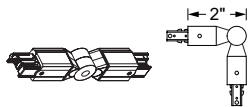
0181 - T-Connector left polarity



0182 - X-Connector



0183 - Adjustable connector



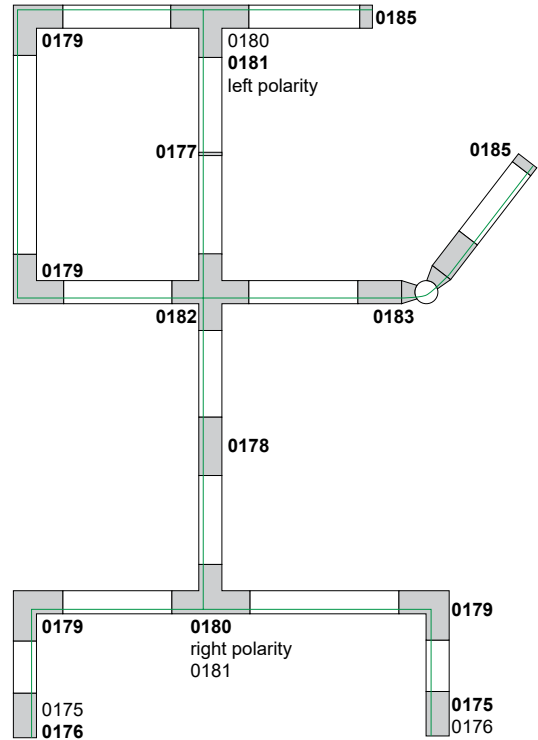
0184 - Outlet box cover



0185 - End cap



Example of configuration



Track is polarized and is manufactured with identifying ridge (green line on diagrams). Refer to these diagrams to ensure proper connector selection.

Project name: _____

Type: _____

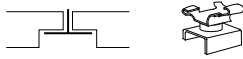
SURFACE MOUNTING (TO BE ORDERED SEPARATELY)

Track mounting clip

01 - White 02 - Black

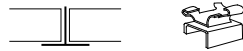
0201 - For T-BAR 15/16"

Recommended for Tegular edge tile



0202 - For T-BAR 15/16"

Recommended for Square edge tile



0205 - For dry wall or threaded rod 1/4"-20

(Rod supplied by others)



ACCESSORIES (TO BE ORDERED SEPARATELY)

0186 - Conductor bending tool
(required during field length cutting)



Cover

01 - White 02 - Black 10 - Gray

0191 - Plastic cover to hide track mounting clip when using stem, cable or rod.



SUSPENSION MOUNTING (TO BE ORDERED SEPARATELY)

Painted finish

01 - White⁽¹⁾ 02 - Black⁽¹⁾ 10 - Gray⁽¹⁾
 21 - Black/White⁽²⁾ 20 - Gray/White⁽²⁾

Stem kit

0208-12 - 12" stem

0208-18 - 18" stem

0208-24 - 24" stem

0208-48 - 48" stem

Includes canopy, stem, 5'5" clear power cable and track mounting clip. 4.5A per circuit



0204-12 - 12" stem

0204-18 - 18" stem

0204-24 - 24" stem

0204-48 - 48" stem

Includes GWB anchor, stem and track mounting clip.



Aircraft cable kit

0216 - Canopy kit

Includes canopy, 5'-5" aircraft cable, 5'-5" clear power cable and 6" stem with track mounting clip. 4.5A per circuit



0212 - Anchor kit

Includes GWB anchor, 5'-5" aircraft cable and 6" stem with track mounting clip



Canopy

0220 - Canopy with power cable

Includes canopy and 5'-5" clear power cable. 4.5A per circuit



⁽¹⁾ Canopy or anchor will match the kit color

⁽²⁾ Kit includes a default white painted canopy or anchor

ORDERING INFO

MODEL	VOLTAGE	FINISH
<input type="radio"/> 0166 - 4'L	<input type="radio"/> 120 - 120V	<input type="radio"/> 01 - White
<input type="radio"/> 0167 - 8'L	<input type="radio"/> 277 - 277V	<input type="radio"/> 02 - Black
<input type="radio"/> 0168 - 12'L*		<input type="radio"/> 12 - Aluminum

*12' model (0168) supplied in two pieces: 8' + 4'.