

Collection of pendants luminaire for commercial and institutional applications. Dim to warm technology - 3000K to 1800K. Canopy mounted, with complete range of optical accessories. Studio is a flexible solution for general lighting in large spaces. Unique thermal management design guarantees long lasting performance.

Luminaire characteristic:

Power input: 15W to 27.5W
Lumens: 810lm to 1 895lm (for 3000K, 90CRI)
Luminaire efficacy: Up to 68lm/W

Source: BRIDGELUX DIM TO WARM LED MODULE (LM-80), 3000K - 1800K, 90CRI.
Lumen maintenance: 90% of initial lumens at 132 000 hours (L90).

Optics: Available in spot, flood and wide flood.

Material: Optical body and trim: Die-cast aluminum
Heat sink: Aluminum alloys.
Lens: PMMA TIR lens.

Mounting: Supplied with 5' (1524mm) suspension cable (field adjustable) and a round painted canopy to be installed on a standard 4" octogonal junction box. For longer suspension cable, contact factory.

Electrical: Integral high efficiency power supply rated at 50 000 hours, 120V or 120-277V.

Dimming: 0-10V dimming (120-277V) or leading (TRIAC) and trailing edge (ELV) dimming (120V only), down to 5% for small and 10% for medium and large model.

Finish: White RAL9003 or matte black.
Cable and canopy color follows fixture color.

Weight: Up to 3.9lbs (1.77kg)

Warranty: 5 year limited warranty.

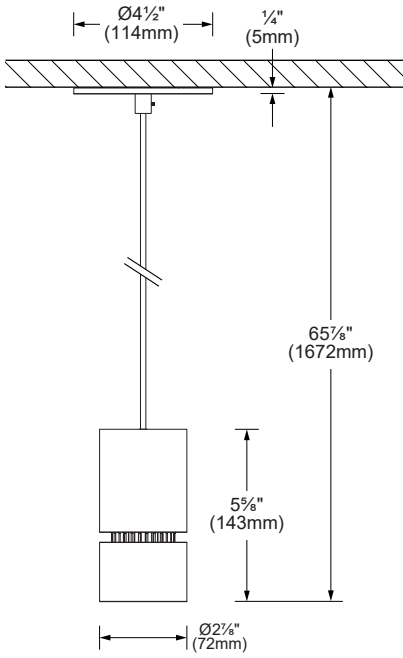
Ratings: IP20

Certification:  cULus listed for damp location.

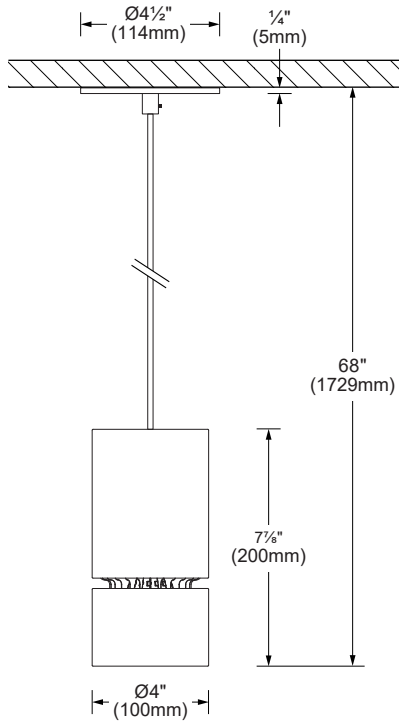


DIMENSIONS

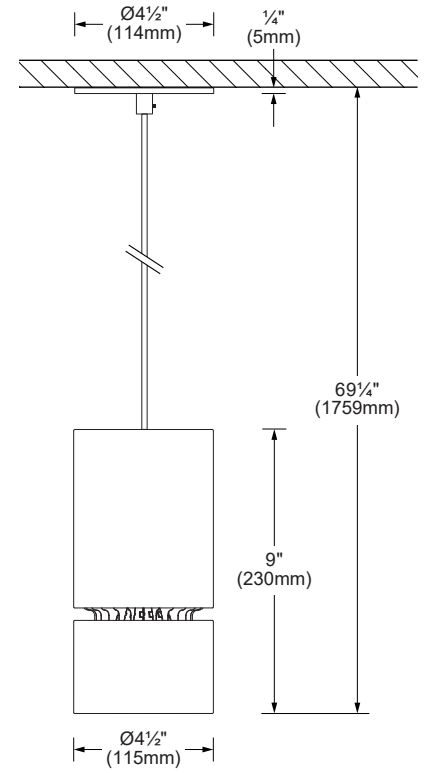
SMALL (1770)



MEDIUM (1780)



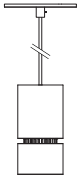
LARGE (1790)



PHOTOMETRIC DATA

Visit sistimalux.com for complete photometric data.

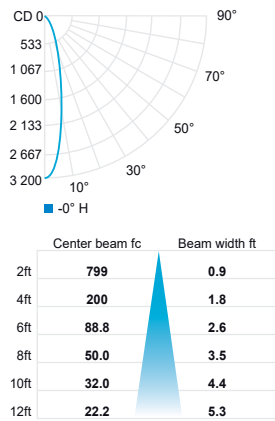
SMALL (1770)



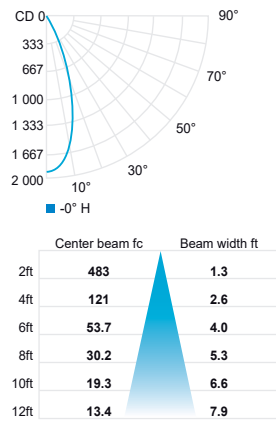
CCT (K)*	CRI	LOAD (W)	OPTIC	LUMENS (lm)	EFFICACY (lm / w)	MAX CANDELA (cd)	MODELS
3000K 1800K	90	15W	Lens spot 25°	815	54	3 195	1770-D91830-LSP
			Lens flood 37°	890	59	1 930	1770-D91830-LFL
			Lens wide flood 51°	810	54	1 005	1770-D91830-LWF

* DATA SHOWN FOR NON DIMMED LUMINAIRE (100% OUTPUT)

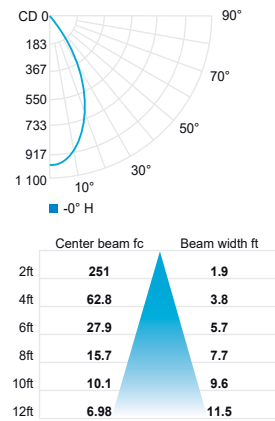
Lens spot 25° (3000K, 90 CRI)



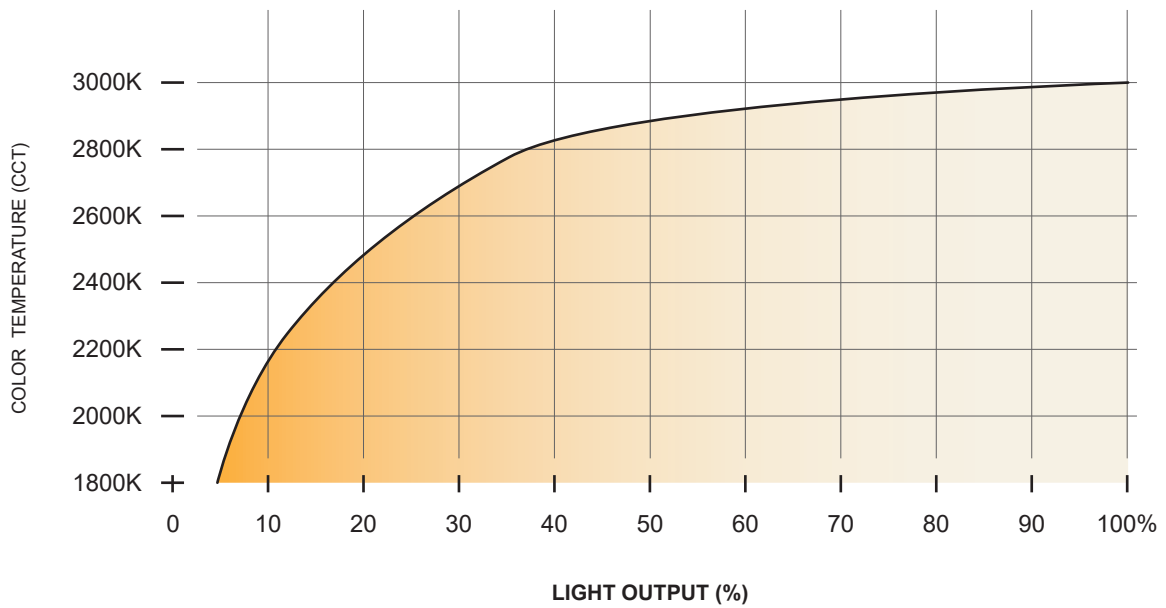
Lens flood 37° (3000K, 90 CRI)



Lens wide flood 51° (3000K, 90 CRI)



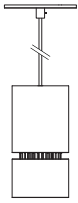
COLOR TEMPERATURE DIMMING BEHAVIOR



PHOTOMETRIC DATA

Visit sistimalux.com for complete photometric data.

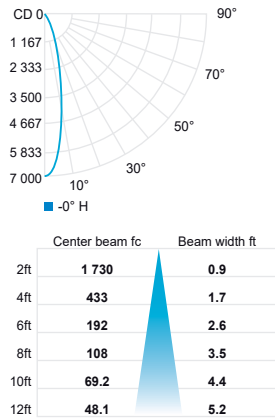
MEDIUM (1780)



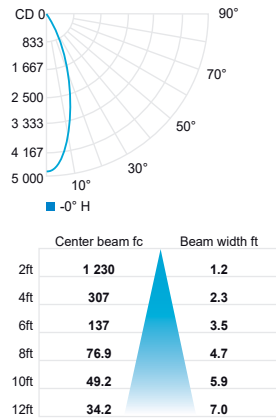
CCT (K)*	CRI	LOAD (W)	OPTIC	LUMENS (lm)	EFFICACY (lm / w)	MAX CANDELA (cd)	MODELS
3000K 1800K	90	27.5W	Lens spot 25°	1 740	63	6 920	1780-D91830-LSP
			Lens flood 33°	1 895	68	4 915	1780-D91830-LFL
			Lens wide flood 53°	1 760	64	2 085	1780-D91830-LWF

* DATA SHOWN FOR NON DIMMED LUMINAIRE (100% OUTPUT)

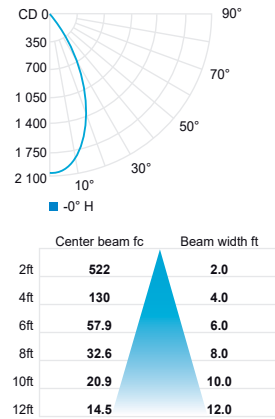
Lens spot 25° (3000K, 90 CRI)



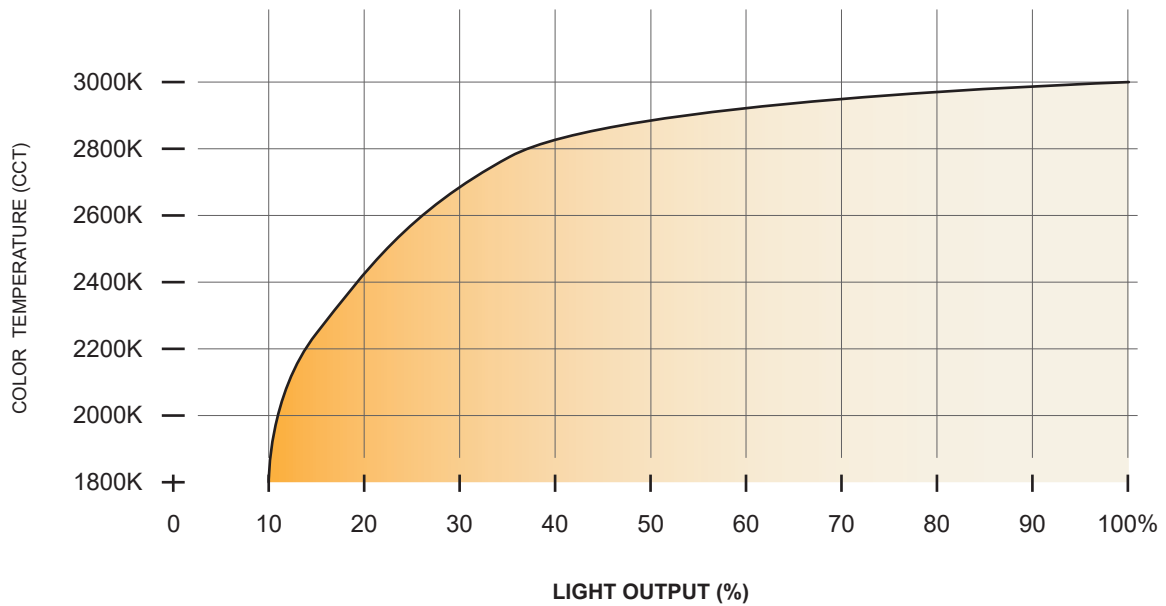
Lens flood 33° (3000K, 90 CRI)



Lens wide flood 53° (3000K, 90 CRI)



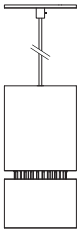
COLOR TEMPERATURE DIMMING BEHAVIOR



PHOTOMETRIC DATA

Visit sistemalux.com for complete photometric data.

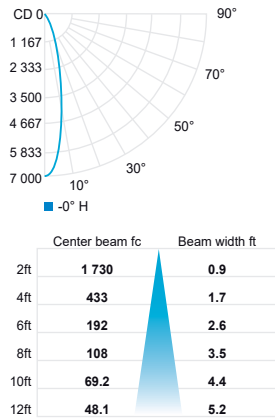
LARGE (1790)



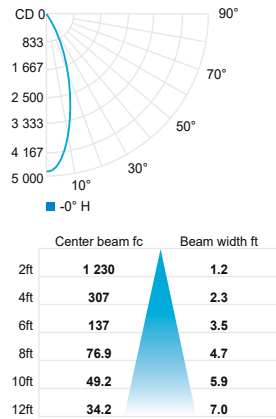
CCT (K)*	CRI	LOAD (W)	OPTIC	LUMENS (lm)	EFFICACY (lm / w)	MAX CANDELA (cd)	MODELS
3000K 1800K	90	27.5W	Lens spot 25°	1 740	63	6 920	1790-D91830-LSP
			Lens flood 33°	1 895	68	4 915	1790-D91830-LFL
			Lens wide flood 53°	1 760	64	2 085	1790-D91830-LWF

* DATA SHOWN FOR NON DIMMED LUMINAIRE (100% OUTPUT)

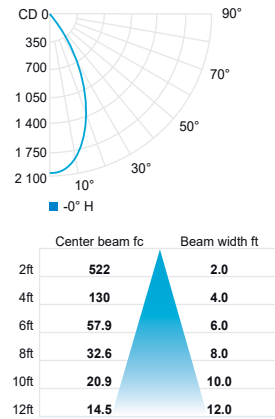
Lens spot 25° (3000K, 90 CRI)



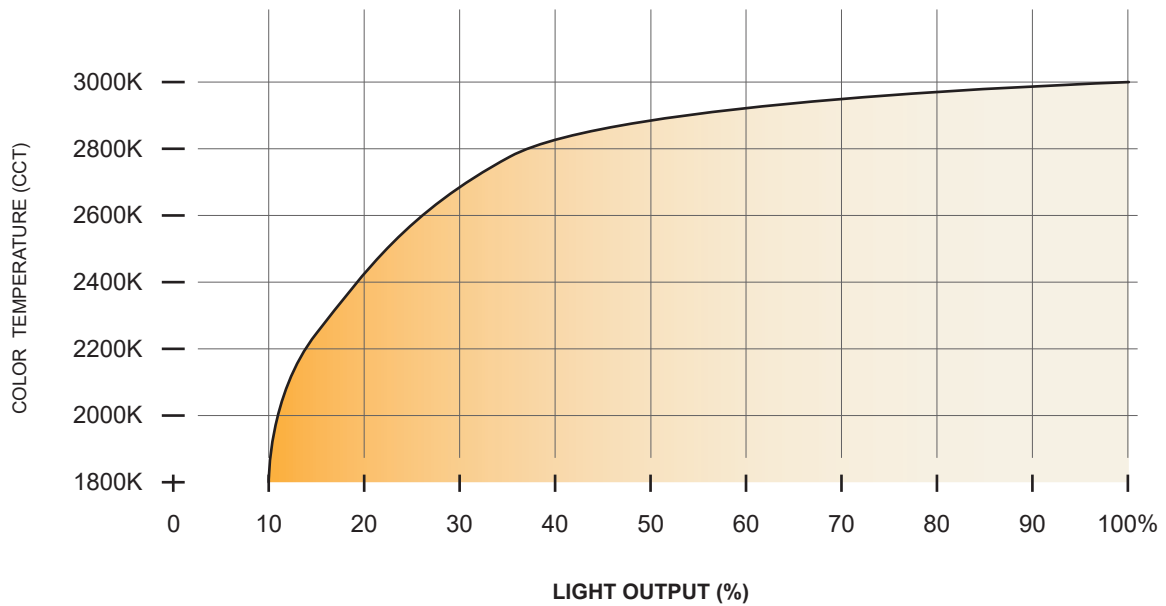
Lens flood 33° (3000K, 90 CRI)



Lens wide flood 53° (3000K, 90 CRI)



COLOR TEMPERATURE DIMMING BEHAVIOR



ACCESSORIES (TO BE ORDERED SEPARATELY)

Fixture can hold a maximum of 2 accessories at a time.



SOFT FOCUS LENS

- 1593** - For studio small
- 1725** - For studio medium & large



BLACK CROSS BAFFLE

- 1694-52** - For Studio small (Length: 7/8" - 21mm)
- 1730-52** - For Studio medium (Length: 1 1/2" - 38mm)
- 1724-52** - For Studio large (Length: 1 3/4" - 47mm)



FROSTED LENS

- 1599** - For Studio small
- 1726** - For Studio medium & large



BLACK SNOOT

- 1697-52** - For Studio small (Length: 1 1/8" - 40mm)
- 1729-52** - For studio medium (Length: 2 1/2" - 64mm)
- 1732-52** - For studio large (Length: 2 7/8" - 72mm)



ELLIPTIC LENS

- 1598** - For Studio small
- 1727** - For Studio medium & large



WHITE SNOOT / BLACK INTERIOR

- 1697-21** - For Studio small (Length: 1 1/8" - 40mm)
- 1729-21** - For studio medium (Length: 2 1/2" - 64mm)
- 1732-21** - For studio large (Length: 2 7/8" - 72mm)

BLACK HEX CELL LOUVER

- 1596-52** - For Studio small
- 1728-52** - For Studio medium & large



BLACK VISOR WALL WASHER

- 1700-52** - For studio small (Length: 1 5/8" - 40mm)
- 1731-52** - For studio medium (Length: 2 1/2" - 64mm)
- 1733-52** - For studio large (Length: 2 7/8" - 72mm)



ADJUSTABLE BARN DOORS

- 1739-52** - For studio medium (Length: 3 1/4" - 83mm)
- 1734-52** - For studio large (Length: 3 3/4" - 93.5mm)



ORDERING INFO

CPBO - D91830 - - -
FIXTURE

MODEL

- 1770 - Small 1780 - Medium 1790 - Large

MOUNTING⁽¹⁾

- C - Canopy

TYPE

- P - Pendant

OUTPUT

- BO - Base output

LED

- D91830 - 1800-3000K, 90 CRI

OPTIC

- LSP - Lens spot
-Studio small (25°)
-Studio medium (25°)
-Studio large (25°)
- LFL - Lens flood
-Studio small (37°)
-Studio medium (33°)
-Studio large (33°)
- LWF - Lens wide flood
-Studio small (51°)
-Studio medium (53°)
-Studio large (53°)

VOLTAGE

- 120 - 120V⁽³⁾ UNV - 120-277V⁽⁴⁾

FINISH

- 01 - White 52 - Matte black

DIMMING**

- D10 - 0-10V⁽⁴⁾ LTE - Leading and trailing edge dimming (120V only)⁽³⁾

⁽¹⁾ Also available with one or two circuit tracks upon request. Please contact customer service.

⁽²⁾ LED options may require a longer lead time than standard. Please contact customer service for details.

⁽³⁾ Available for small (S) model.

⁽⁴⁾ Available for medium (M) and large (L) models.

** 15% dimming options: For leading and trailing edge and 0-10V (LTE and D10), the dimming levels will vary depending on the dimmer used and the number of luminaires on the line.