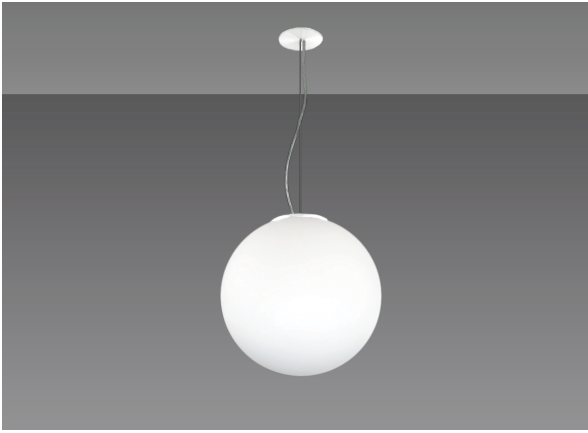


Project name: _____

Type: _____



This classic design creates a soft and inviting glare free atmosphere suitable for both commercial and residential applications.

Luminaire characteristics:

Power input: 22.5W

Lumens: 1551 lm

Luminaire efficacy: 69 lm/W

Source: LED module (LM-80 tested).

2700K: 80CRI

3000K: 80CRI

3500K: 80CRI

4000K: 80CRI

Lumen maintenance: >80% of initial lumens at 50 000 hours (L80)

Optics: General lighting.

Mounting: 5' field adjustable clear suspension cable and one canopy. Installs on a standard 4" Junction box.

Material:

Body: Machined aluminum glass holder.

Diffuser: Frosted acrylic shade.

Canopy: Die-cast aluminum.

Suspension: Galvanized steel aircraft cable.

Electrical: High efficiency electronic power supply, rated 50 000 hours 120V-277V.

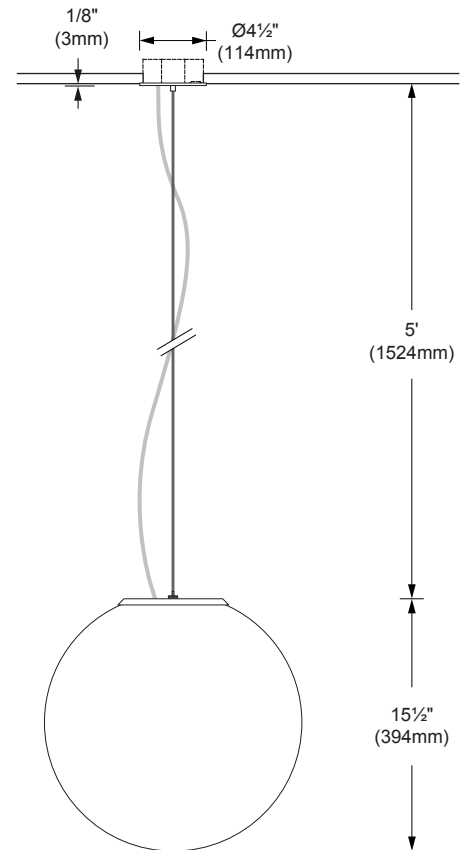
Dimming: Power supply compatible with 0-10V (UNV) or leading (TRIAC) and trailing edge (ELV) (120V only)

Finish: White RAL9003 or gray RAL9006 with white canopy.

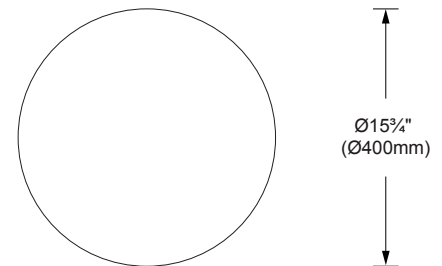
Weight: 6.15lbs (2.79kg)

Warranty: 5 year limited warranty.

Certification: cULus listed for damp location.



FRONT VIEW



BOTTOM VIEW

Project name: _____

Type: _____

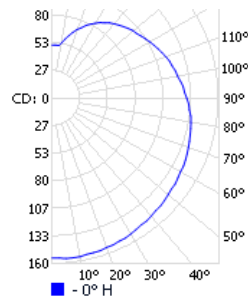
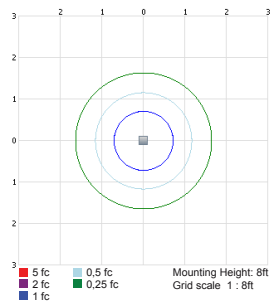
TECHNICAL DATA

Photometric performance is measured at an accredited independent laboratory in accordance with IESNA LM-79. Visit sistemalux.com for complete photometric data.

LOAD	CCT	CRI	OPTIC	DELIVERED LUMENS	LUMINAIRE EFFICACY	CENTER BEAM CANDLE POWER	MODEL
(W)	(K)			(lm)	(lm / w)	(cd)	
22.5W	3000K*	80*	General light	1551	69	155	1934-830

*USE MULTIPLIER TABLE FOR OTHER CCT AND CRI OUTPUT DATA

Color options	Multiplier
2700K - 80CRI	0.96
3000K - 80CRI	1
3500K - 80CRI	1.04
4000K - 80CRI	1.06



3000K - 80 CRI

ORDERING INFO

MODEL	LED	VOLTAGE	FINISH	DIMMING
<input type="radio"/> MODEL <input type="radio"/> 1934	<input type="radio"/> LED <input type="radio"/> 827 - 2700K <input type="radio"/> 830 - 3000K <input type="radio"/> 835 - 3500K <input type="radio"/> 840 - 4000K	<input type="radio"/> VOLTAGE <input type="radio"/> UNV- 120-277V <input type="radio"/> 120- 120V	<input type="radio"/> FINISH <input type="radio"/> 01 - White <input type="radio"/> 10 - Gray	<input type="radio"/> OPTIONAL DIMMING <input type="radio"/> D10 - 0-10V <input type="radio"/> LTE - Leading (Triac) and trailing edge (ELV) for 120V only