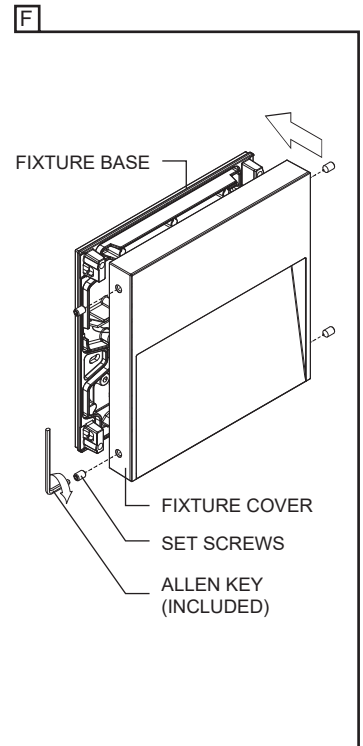
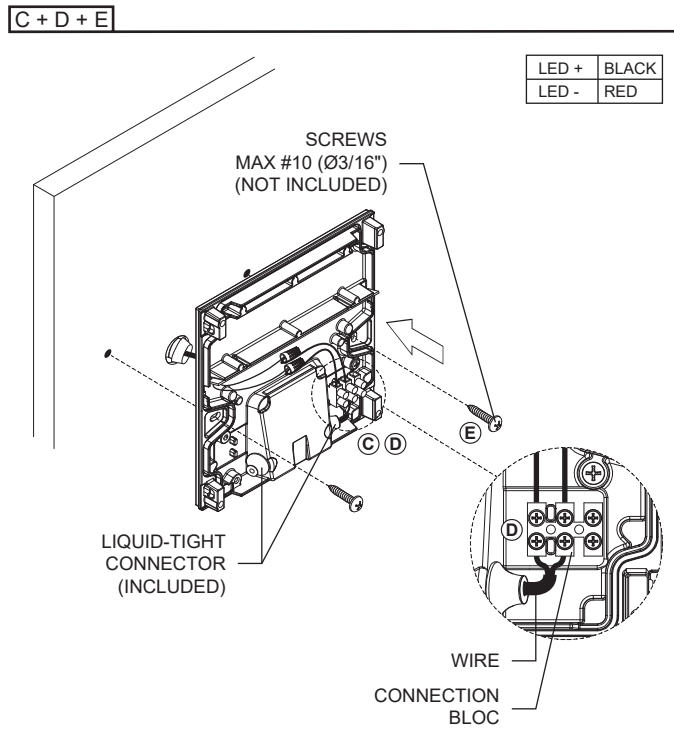
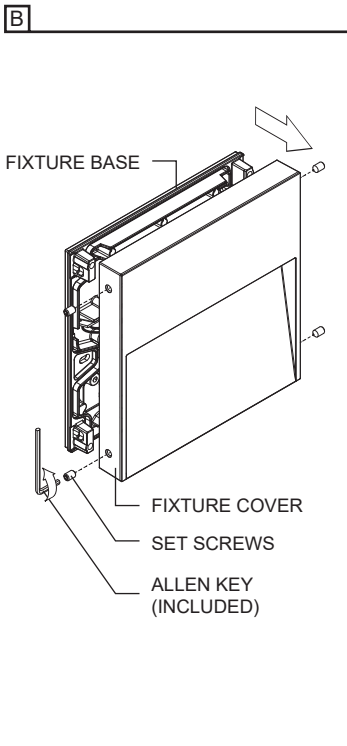
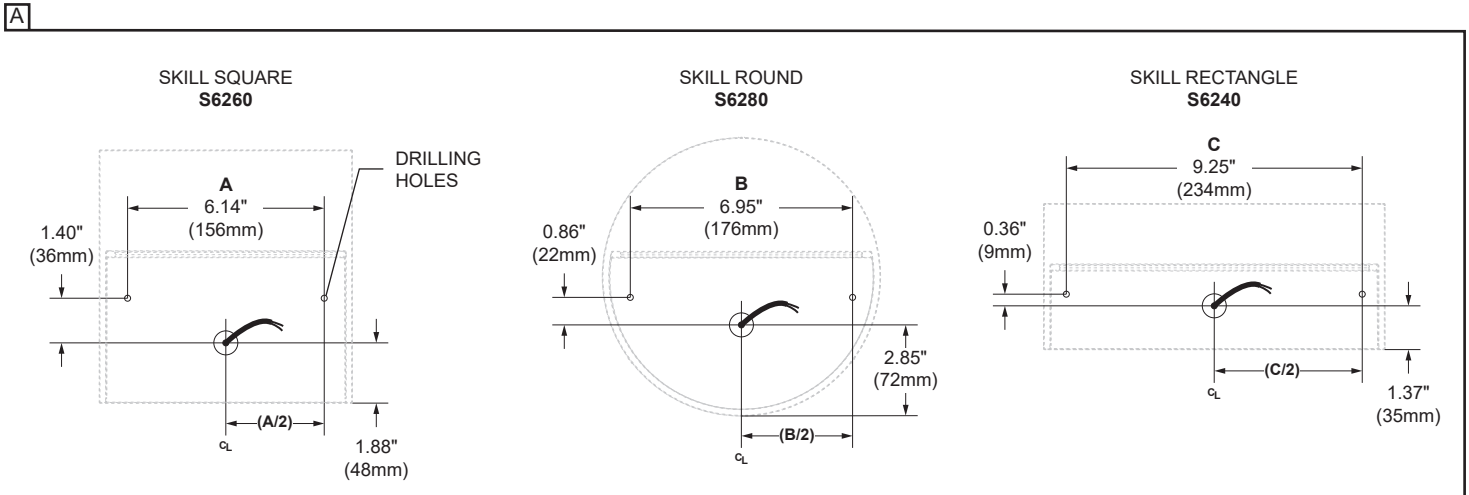


IMPORTANT - READ CAREFULLY BEFORE INSTALLING FIXTURE. RETAIN THESE INSTRUCTIONS FOR FUTURE REFERENCE. THIS PRODUCT MUST BE INSTALLED IN ACCORDANCE WITH THE NATIONAL ELECTRICAL CODE AND ALL APPLICABLE LOCAL CODES, BY A PERSON FAMILIAR WITH THE CONSTRUCTION AND OPERATION OF THE PRODUCT, AND THE HAZARDS INVOLVED. PROPER GROUNDING IS REQUIRED FOR SAFETY.

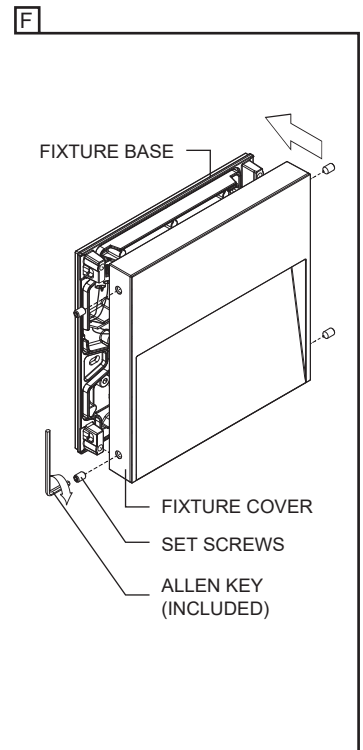
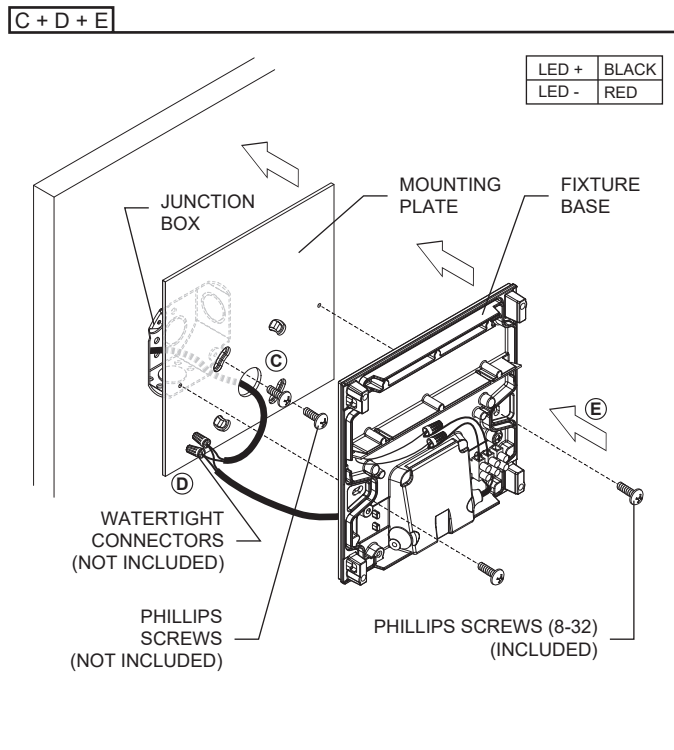
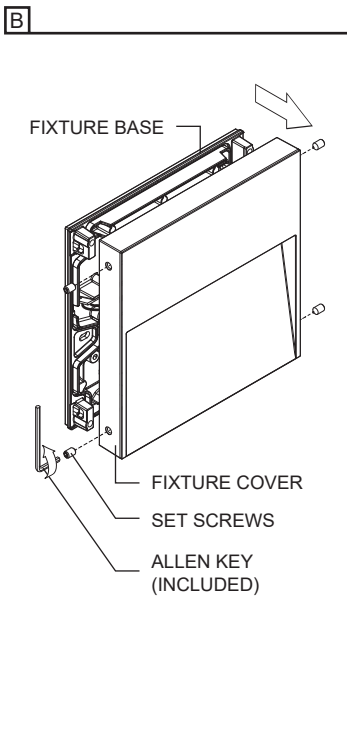
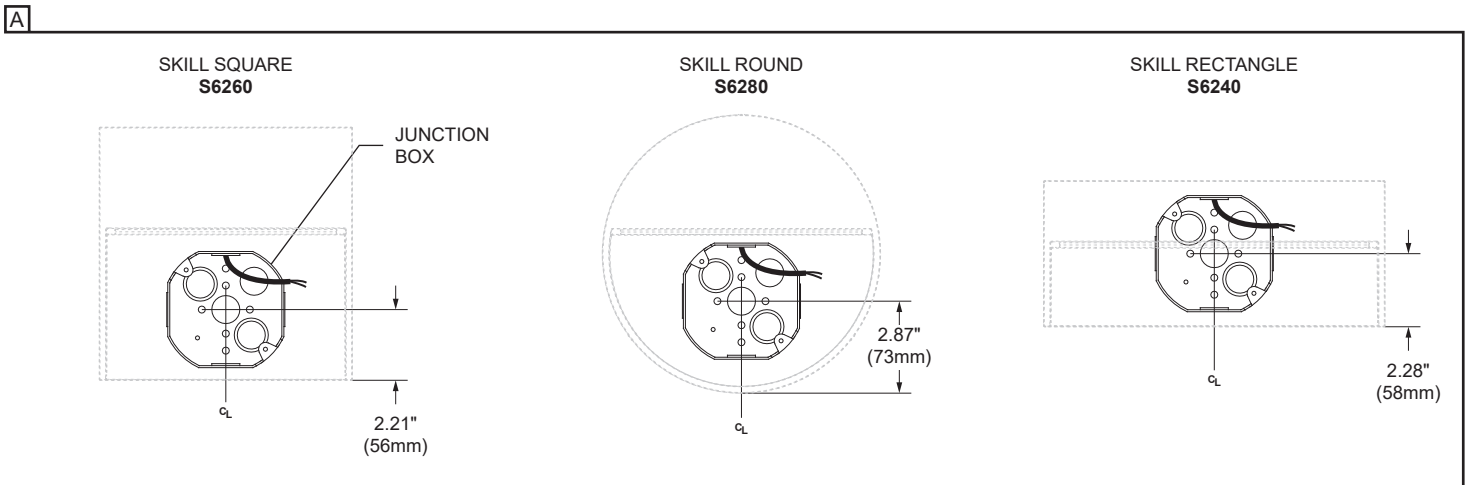
INSTALLATION WITH DIRECT FEED - REMOTE DRIVER (DF-REM)

- A- PREPARE INSTALLATION SURFACE USING THE DIMENSIONS BELOW.
- B- UNSCREW THE (4) SET SCREWS WITH AN ALLEN KEY (INCLUDED) TO REMOVE THE FIXTURE COVER FROM THE FIXTURE BASE. **DO NOT COMPLETELY REMOVE THE SET SCREWS.**
- C- INSERT WIRE THROUGH THE FIXTURE BASE LIQUIDTIGHT CONNECTOR (INCLUDED). **TO INSURE LIQUIDTIGHT SEAL, USE SHEATHED WIRES.**
- D- SECURE THE FIXTURE BASE TO THE SURFACE USING THE APPROPRIATE (2) SCREWS (NOT INCLUDED). (MAX #10 Ø3/16")
- E- MAKE WIRE CONNECTIONS (FOLLOWING POLARITY MARKINGS) USING THE CONNECTION BLOC.
- F- FASTEN THE FIXTURE COVER TO THE FIXTURE BASE WITH THE SET SCREWS USING AN ALLEN KEY (INCLUDED).



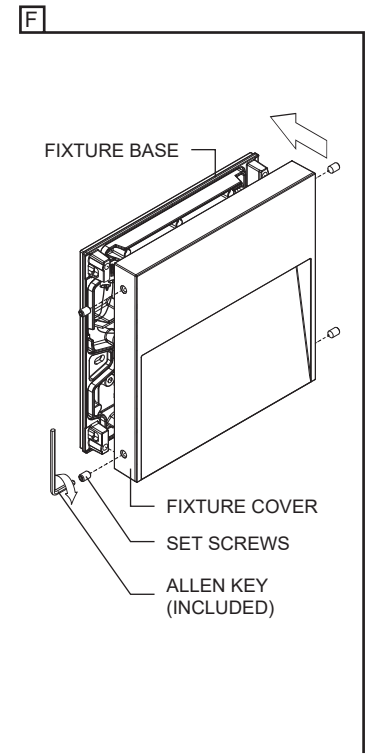
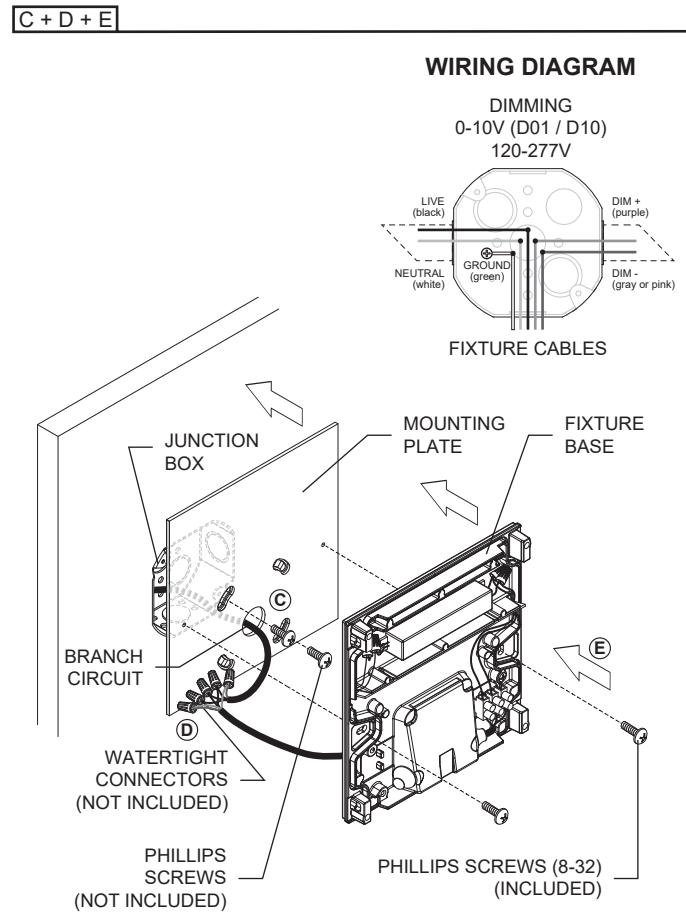
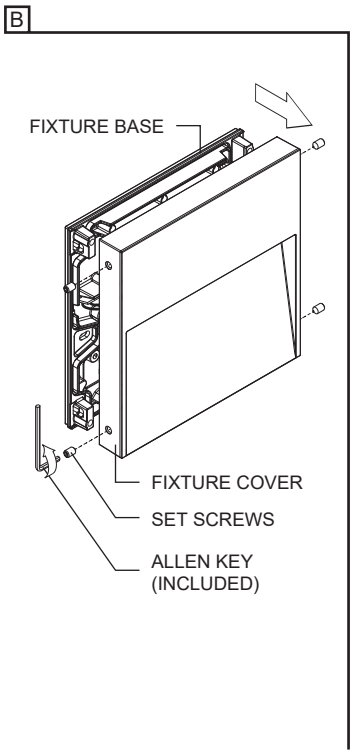
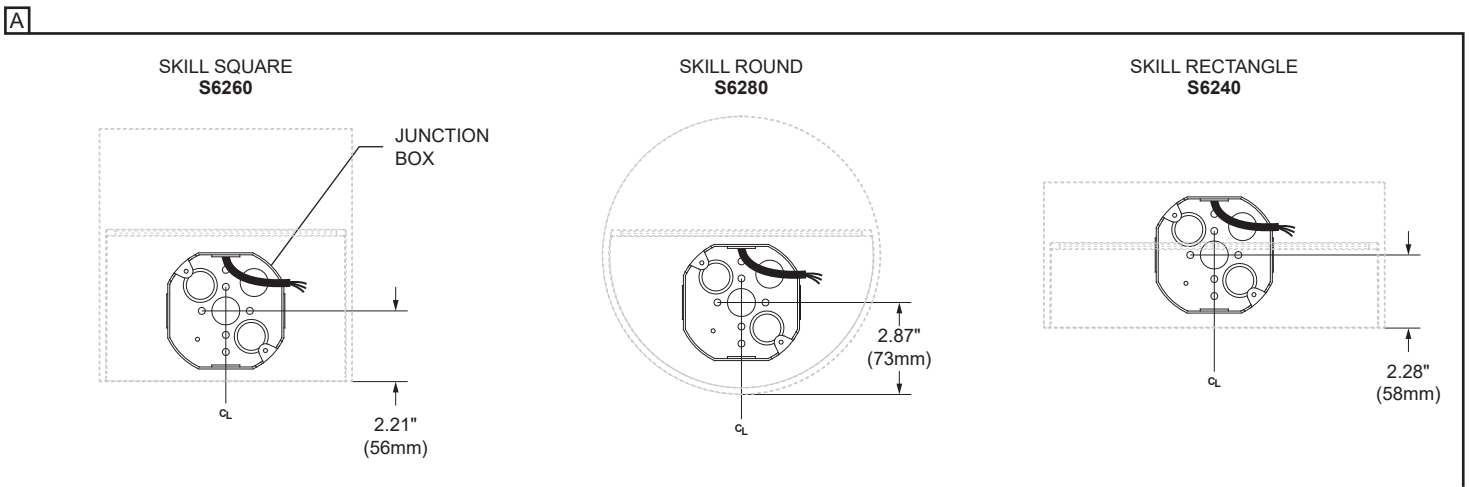
INSTALLATION WITH 4" JUNCTION BOX - REMOTE DRIVER (JB-REM)

- A- PREPARE INSTALLATION SURFACE USING THE DIMENSIONS BELOW.
- B- UNSCREW THE (4) SET SCREWS WITH AN ALLEN KEY (**INCLUDED**) TO REMOVE THE FIXTURE COVER FROM THE FIXTURE BASE.
DO NOT COMPLETELY REMOVE THE SET SCREWS.
- C- INSTALL THE MOUNTING PLATE ON THE JUNCTION BOX USING (2) PHILLIPS SCREWS (**NOT INCLUDED**) AND PASS THE WIRES THROUGH.
- D- MAKE WIRE CONNECTIONS (FOLLOWING POLARITY MARKINGS) USING WATERTIGHT CONNECTORS (**NOT INCLUDED**).
ONCE CONNECTED, PUSH WIRES BACK INTO THE JUNCTION BOX.
- E- SECURE THE FIXTURE BASE TO THE MOUNTING PLATE USING THE (2) PHILLIPS SCREWS (8-32) (**INCLUDED**).
- F- FASTEN THE FIXTURE COVER TO THE FIXTURE BASE WITH THE SET SCREWS USING AN ALLEN KEY (**INCLUDED**).



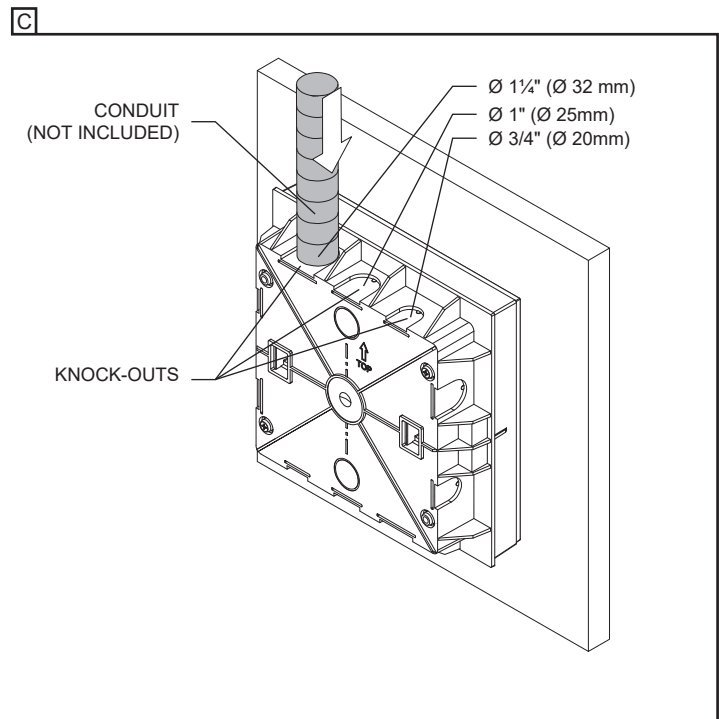
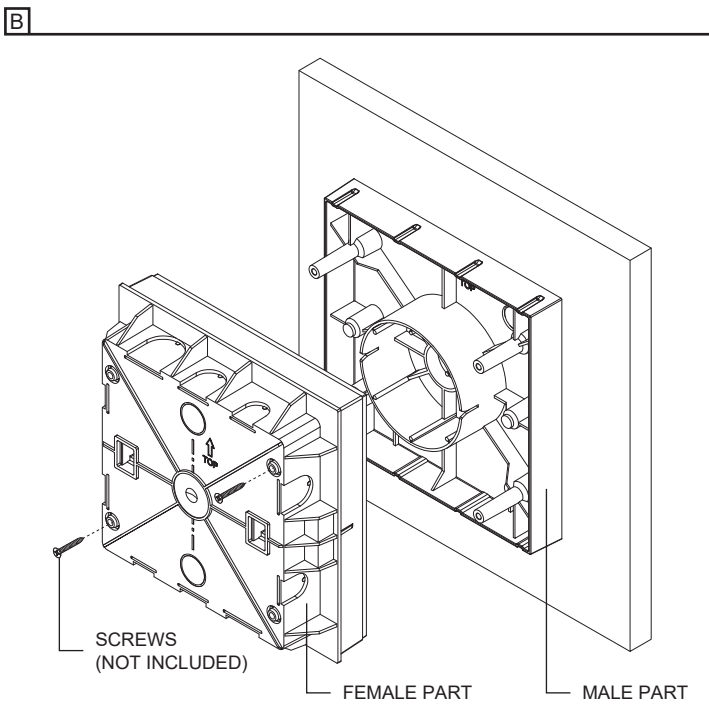
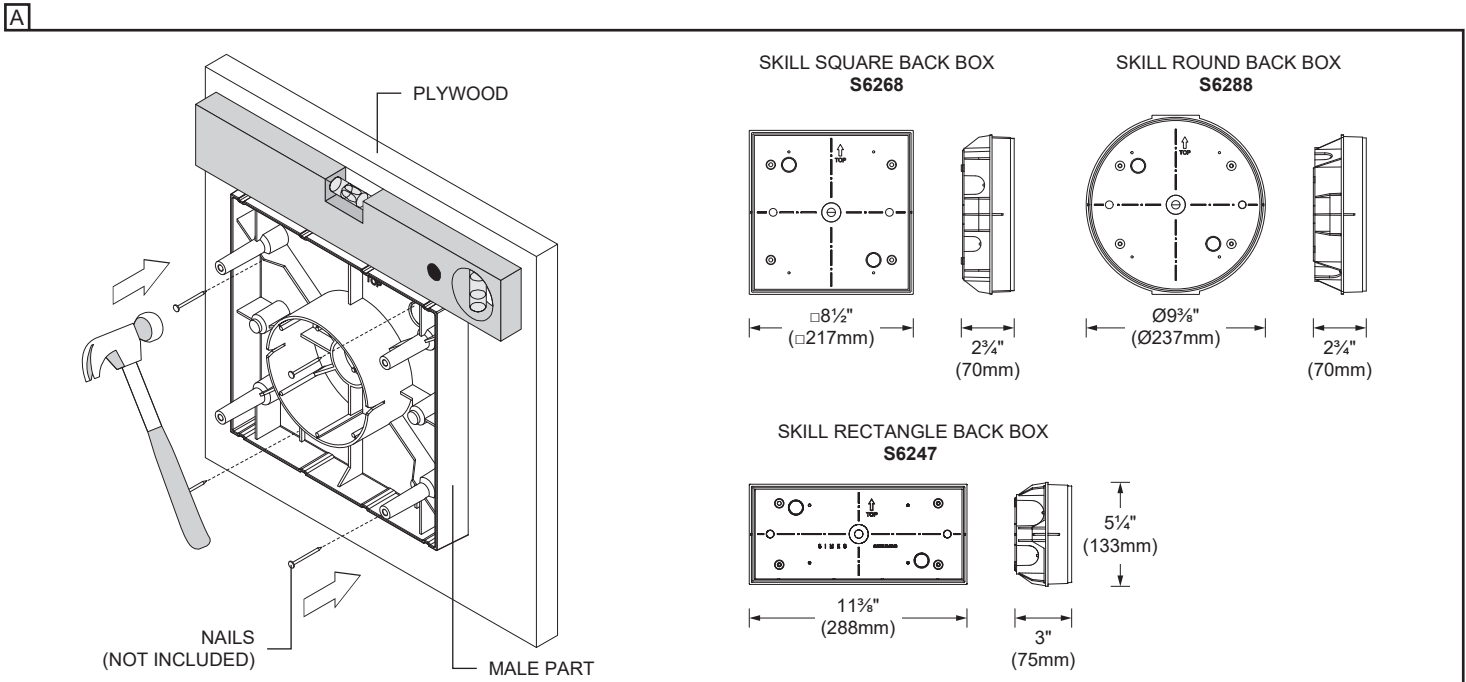
INSTALLATION WITH 4" JUNCTION BOX - 120-277V (JB-UNV) DIMMING 0-10V (D10)

- A- PREPARE INSTALLATION SURFACE USING THE DIMENSIONS BELOW.
- B- UNSCREW THE (4) SET SCREWS WITH AN ALLEN KEY (**INCLUDED**) TO REMOVE THE FIXTURE COVER FROM THE FIXTURE BASE.
DO NOT COMPLETELY REMOVE THE SET SCREWS.
- C- INSTALL THE MOUNTING PLATE ON THE JUNCTION BOX USING (2) PHILLIPS SCREWS (**NOT INCLUDED**) AND PASS THE WIRES THROUGH.
- D- MAKE WIRE CONNECTIONS (FOLLOWING POLARITY MARKINGS) USING WATERTIGHT CONNECTORS (**NOT INCLUDED**).
ONCE CONNECTED, PUSH WIRES BACK INTO THE JUNCTION BOX.
- E- SECURE THE FIXTURE BASE TO THE MOUNTING PLATE USING THE (2) PHILLIPS SCREWS (8-32) (**INCLUDED**).
- F- FASTEN THE FIXTURE COVER TO THE FIXTURE BASE WITH THE SET SCREWS USING AN ALLEN KEY (**INCLUDED**).



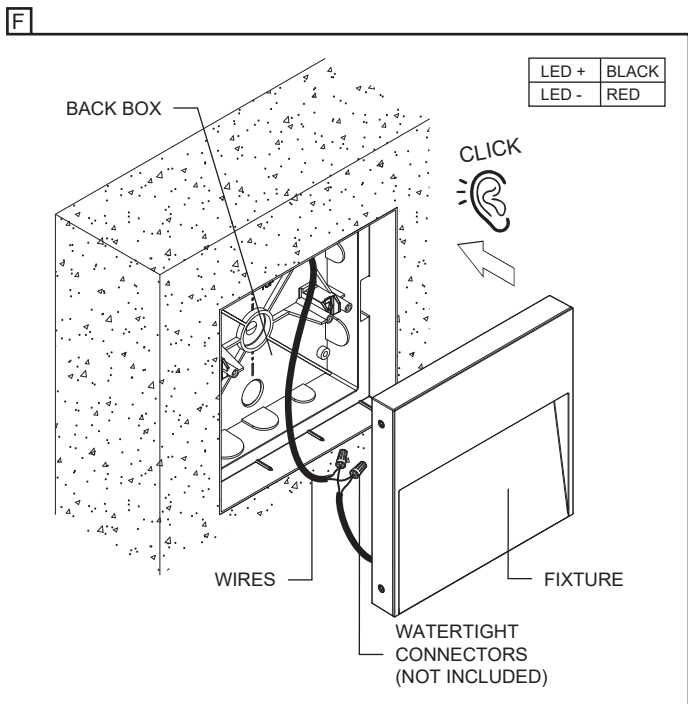
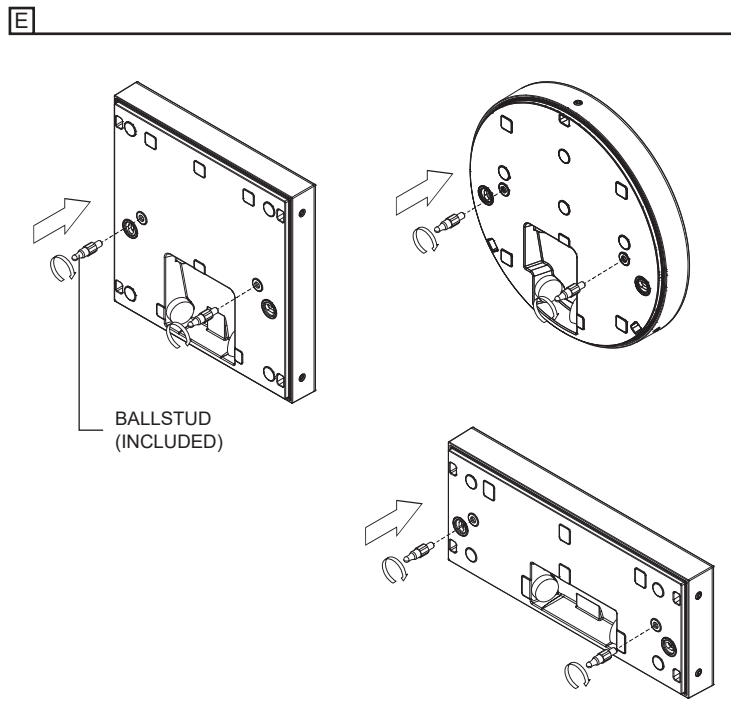
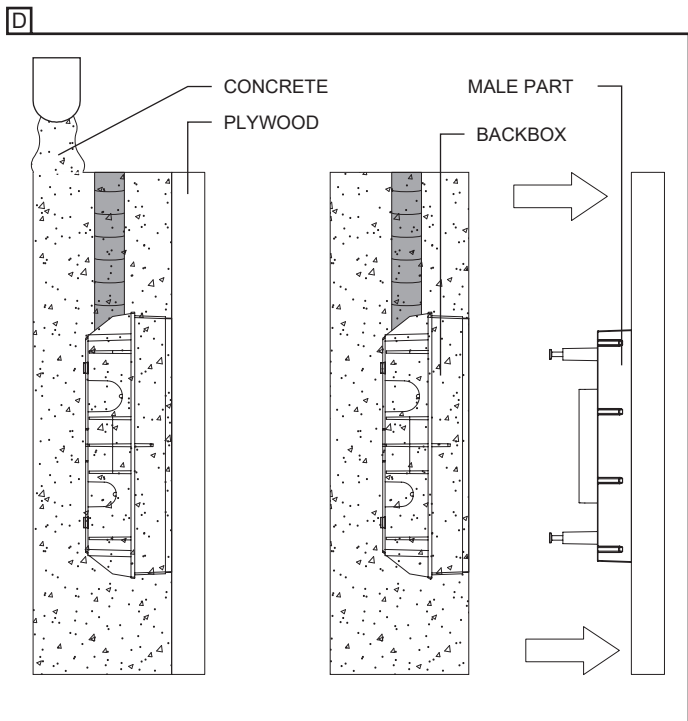
INSTALLATION FLUSH MOUNT RECESSED WITH BACK BOX - REMOTE DRIVER (FM-REM)

- A- USE NAILS (**NOT INCLUDED**) TO FIX THE BACK BOX MALE PART TO THE PLYWOOD.
- B- ASSEMBLE THE BACK BOX MALE AND FEMALE PARTS TOGETHER USING SCREWS (**NOT INCLUDED**).
- C- INSERT A CONDUIT (**NOT INCLUDED**) IN THE APPROPRIATE KNOCK OUT (SEE DIMENSIONS BELOW).



INSTALLATION FLUSH MOUNT RECESSED WITH BACK BOX - REMOTE DRIVER (FM-REM)

- D- POUR CONCRETE IN THE FORMWORK WHERE THE BACK BOX IS PLACED. WAIT FOR THE CONCRETE TO DRY. WHEN REMOVING THE FORMWORK, PULL THE MALE PART OFF OF THE BACK BOX.
- E- INSTALL (2) BALLSTUDS (INCLUDED) ON THE FIXTURE.
- F- MAKE WIRE CONNECTIONS (FOLLOWING POLARITY MARKINGS) USING WATERTIGHT CONNECTORS (NOT INCLUDED). PUSH THE FIXTURE IN THE BACK BOX UNTIL IT CLICKS IN PLACE.



MAINTENANCE

PLACE THE HOOKS ON EACH SIDE OF THE FIXTURE AND PULL TO TAKE IT OUT.

