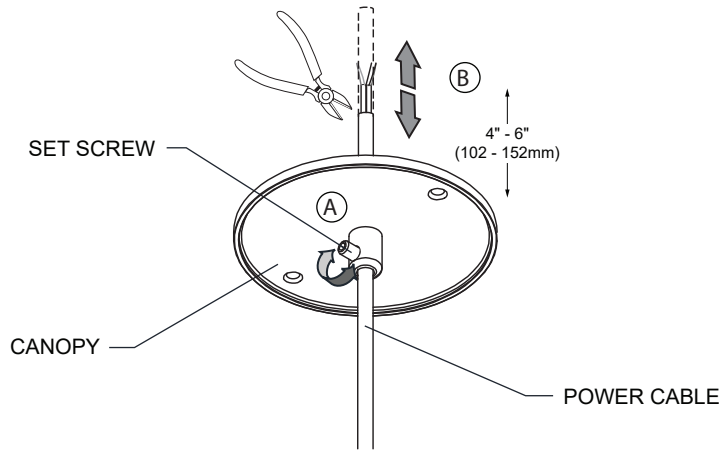


IMPORTANT - READ CAREFULLY BEFORE INSTALLING FIXTURE. RETAIN THESE INSTRUCTIONS FOR FUTURE REFERENCE.
 THIS PRODUCT MUST BE INSTALLED IN ACCORDANCE WITH THE NATIONAL ELECTRICAL CODE AND ALL APPLICABLE LOCAL CODES, BY A PERSON FAMILIAR WITH THE CONSTRUCTION AND OPERATION OF THE PRODUCT, AND THE HAZARDS INVOLVED. PROPER GROUNDING IS REQUIRED FOR SAFETY.

CABLE LENGTH ADJUSTEMENT

- A- UNFASTEN THE SET SCREW.
- B- ADJUST THE POWER CABLE LENGTH AND TIGHTEN THE SET SCREW TO LOCK POSITION. LEAVE 4" TO 6" ABOVE THE CANOPY (FOR CONNECTIONS) AND CUT THE CABLE SURPLUS.

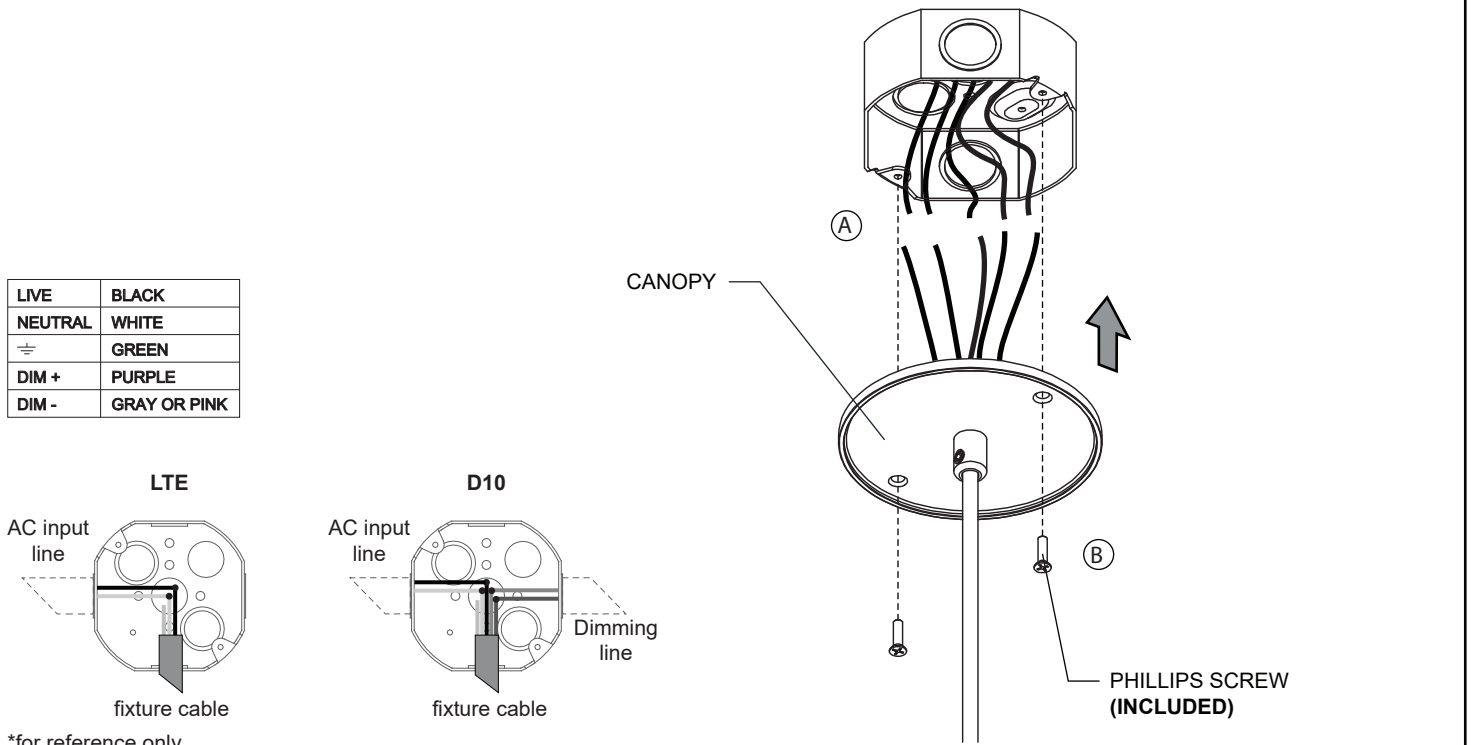
A + B



INSTALLATION TO 4" JUNCTION BOX WITH CANOPY (120V, 120-277V INPUT)

- A - MAKE WIRE CONNECTIONS (FOLLOWING POLARITY MARKING). FOR DIMMING, WIRES MUST BE RUN THROUGH A SEPARATE BX CABLE WHEN CONNECTING DIMMING CONTROLLER.
- B - FASTEN CANOPY TO JUNCTION BOX USING THE (2) PHILLIPS SCREWS (INCLUDED).

A + B



*for reference only

REPLACING OPTIC

A - UNSCREW THE OPTIC HOLDER TO ACCESS THE REFLECTOR.
 B - REPLACE THE REFLECTOR AND RE-INSTALL THE OPTIC HOLDER BACK IN PLACE.

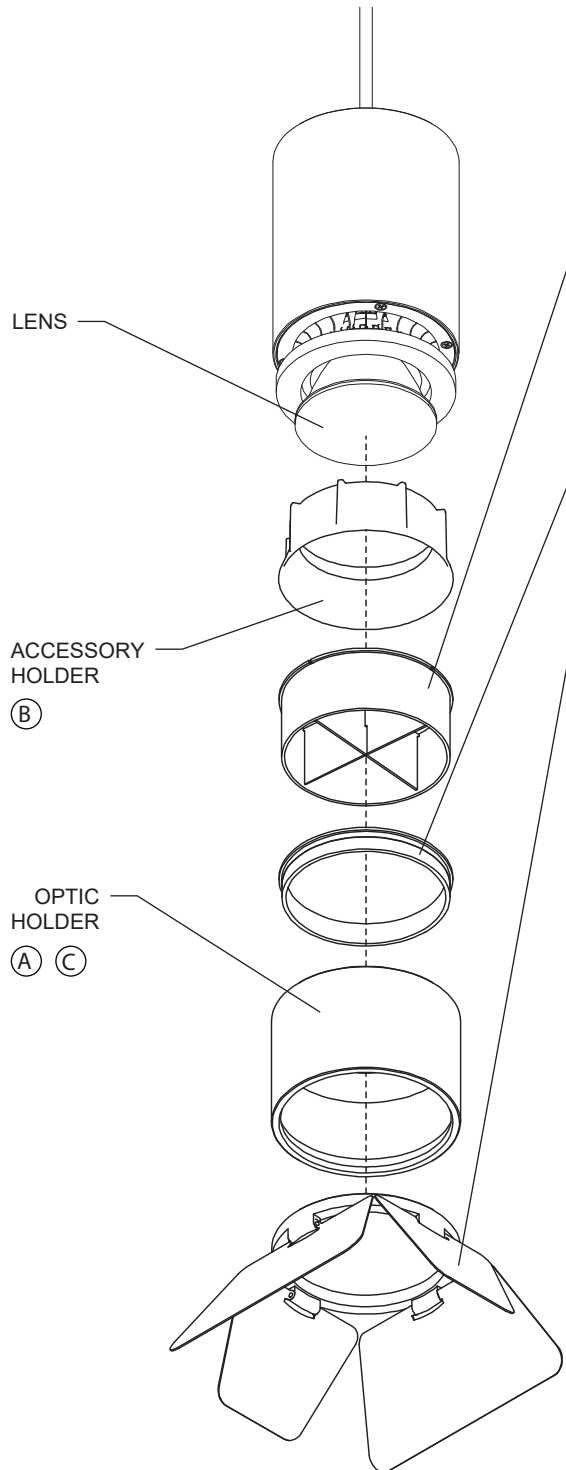
A+B





	SMALL 1770	MEDIUM 1780	LARGE 1790
REFLECTOR 20°	1740	1735	1715
REFLECTOR 40°	1741	1737	1716
REFLECTOR 50°	1742	1738	1717
REFLECTOR 60°	1743	N/A	N/A
SOFT FOCUS LENS (INCLUDED)		1725	1720
ELLIPTIC LENS	1598	1727	1722
FROSTED LENS	1599	1726	1721
BLACK HEX CELL LOUVER	1596-52	1728-52	1723-52

ACCESSORIES

- A - UNSCREW THE OPTIC HOLDER.
 B - PLACE ACCESSORY BETWEEN THE OPTIC HOLDER AND THE ACCESSORY HOLDER.
 C - RE-INSTALL THE OPTIC HOLDER BACK IN PLACE.

A+B+C



	SMALL 1770	MEDIUM 1780	LARGE 1790
 BLACK CROSS BAFFLE	1694-52	1730-52	1724-52
 BLACK SNOOT	1697-52	1729-52	1732-52
 BLACK VISOR - WALL WASHER	1700-52	1731-52	1733-52
 BLACK BARN DOORS	N/A	1739-52	1734-52