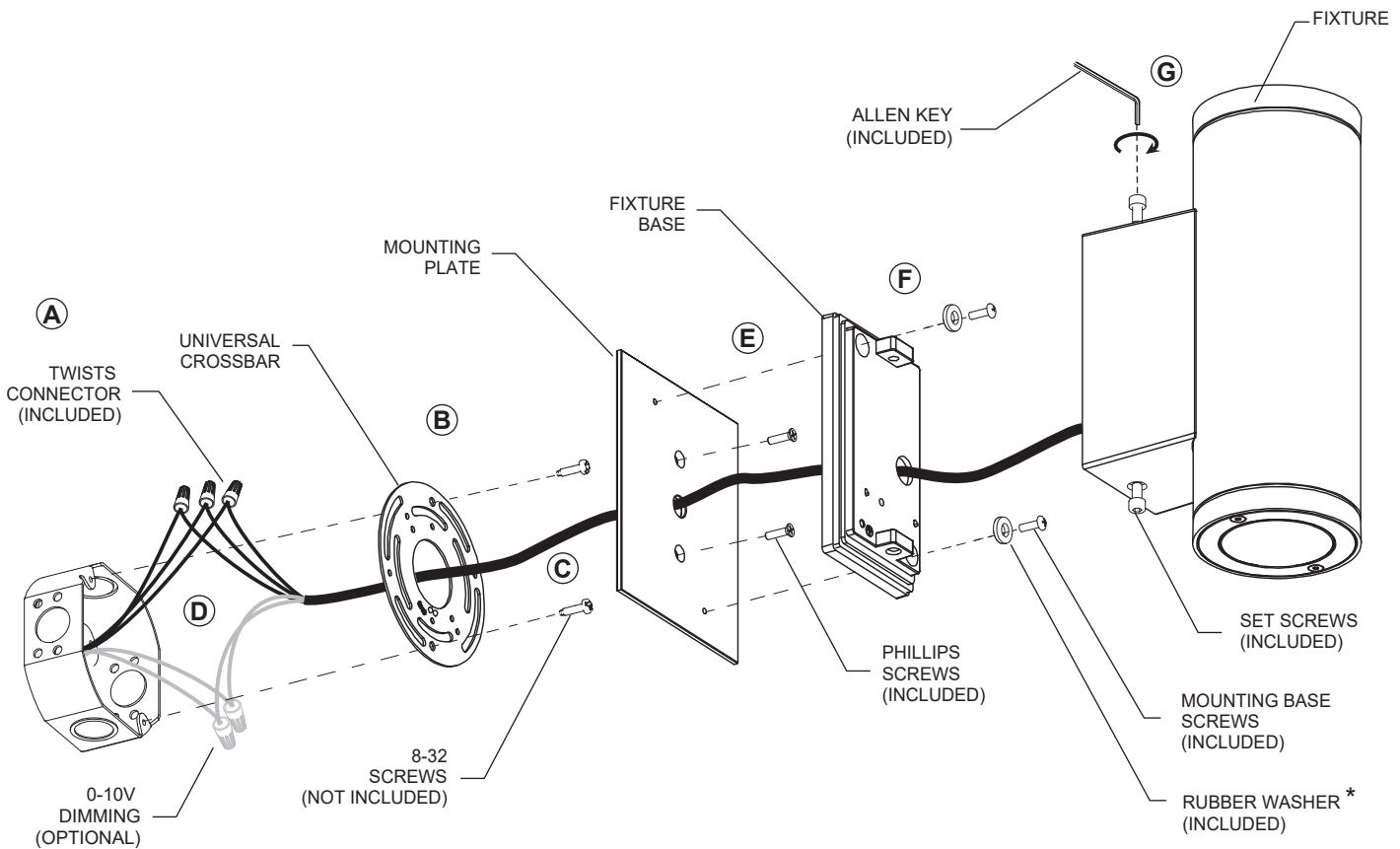


IMPORTANT - READ CAREFULLY BEFORE INSTALLING FIXTURE. RETAIN THESE INSTRUCTIONS FOR FUTURE REFERENCE. THIS PRODUCT MUST BE INSTALLED IN ACCORDANCE WITH THE NATIONAL ELECTRICAL CODE AND ALL APPLICABLE LOCAL CODES, BY A PERSON FAMILIAR WITH THE CONSTRUCTION AND OPERATION OF THE PRODUCT, AND THE HAZARDS INVOLVED. PROPER GROUNDING IS REQUIRED FOR SAFETY.

INSTALLATION ON 4" JUNCTION BOX INTEGRAL DRIVER (120-277V) DIMMING 0-10V (15%)

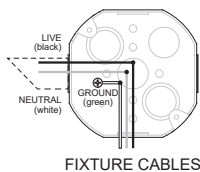
FOR USE WITH STANDARD 4" JUNCTION BOX (120-277V)

- A- UNFASTEN THE FIXTURE (2) SET SCREWS USING ALLEN KEY (INCLUDED), DO NOT COMPLETELY REMOVE THE SCREWS.
- B- INSTALL THE CROSSBAR ON THE JUNCTION BOX (NOT INCLUDED) WITH (2) 8-32 SCREWS (NOT INCLUDED).
- C- PASS CABLE THROUGH CENTER HOLES OF THE MOUNTING PLATE AND CROSSBAR.
- D- MAKE ALL THE NECESSARY CONNECTIONS (SEE WIRING DIAGRAM) USING TWIST CONNECTORS (NOT INCLUDED).
- E- INSTALL THE MOUNTING PLATE ON THE CROSSBAR WITH THE (2) PHILLIPS SCREWS (INCLUDED).
- F- INSTALL THE FIXTURE BASE ON THE MOUNTING PLATE USING THE (2) PHILLIPS SCREWS (INCLUDED) WITH (2) RUBBER WASHERS (INCLUDED)
- G- FASTEN THE FIXTURE BACK TO ITS BASE WITH (2) SET SCREWS USING THE ALLEN KEY (INCLUDED)



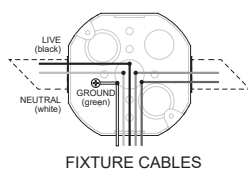
WIRING DIAGRAM

NO DIMMING



WIRING DIAGRAM

DIMMING 120-277V
0-10V (D10)



If the wires for 0-10V dimming are not used, protect wire ends with twist connectors.



2 x
*RUBBER WASHER
IMPORTANT FOR
WATERTIGHT
INSTALLATION